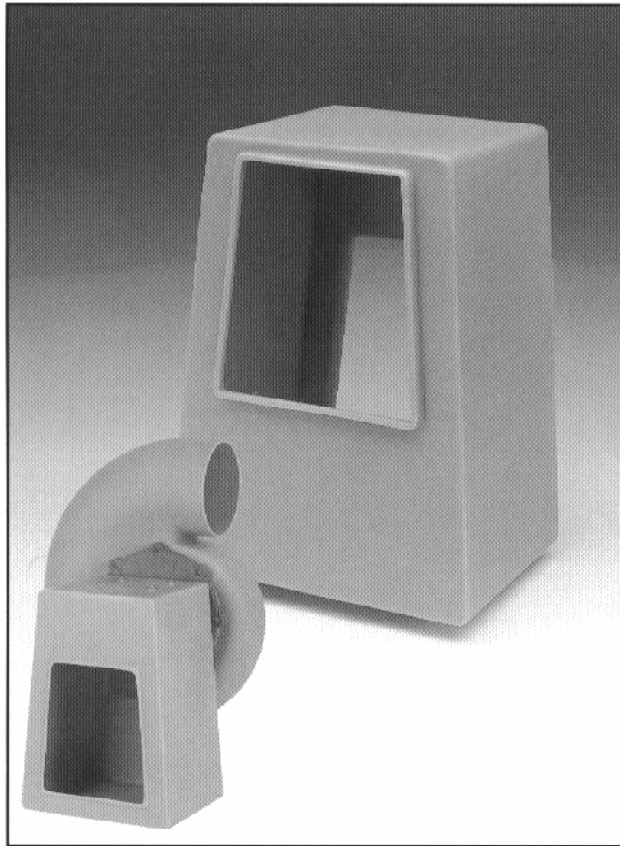




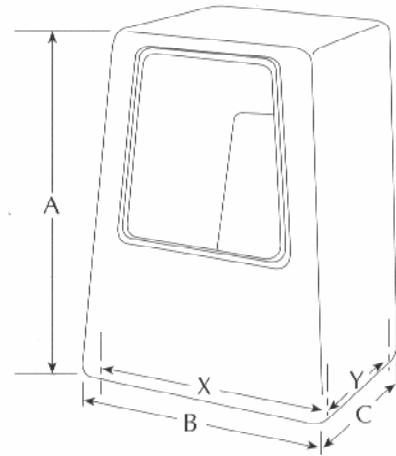
Dimensional Data

Weather Hood Enclosed Pedestal



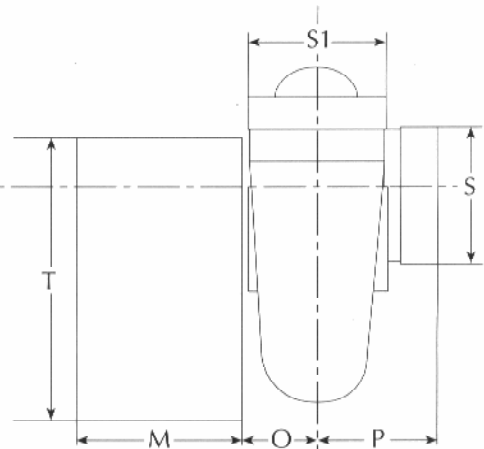
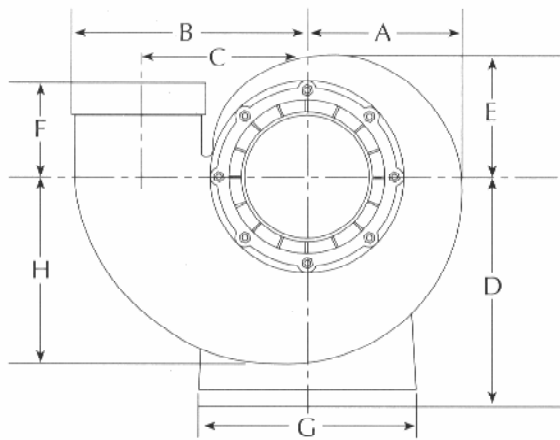
Description

A polypropylene enclosure for Utility Blower models P10, through P35. It is specially designed for Plastec Fans to protect the motor against weather and corrosive environments.



Dimensional Data

	A	B	C	X	Y
WH3 is for Plastec 10-30	21.40	16.00	14.60	13.20	12.00
WH4 is for Plastec 35	27.55	22.83	19.68	19.75	13.75



	A	B	C	D	E	F	G	H	M	O	P	S	S1	T
Plastec 12	5.50	6.50	4.73	18.85	3.80	7.60	15.75	6.65	14.60	3.14	2.80	3.54	3.54	21.65
Plastec 15	6.05	9.45	6.93	18.85	5.30	5.70	15.75	7.90	14.60	3.75	3.93	4.92	4.92	21.65
Plastec 20	8.18	12.00	8.70	18.85	6.25	5.90	15.75	9.45	14.60	3.50	4.50	6.30	6.62	21.65
Plastec 25	10.05	14.62	10.30	17.87	7.81	6.30	15.75	12.30	14.60	4.50	7.90	7.87	8.62	21.65
Plastec 30	11.75	18.75	5.37	17.87	9.37	7.50	15.75	12.75	14.60	4.75	5.70	9.84	10.75	21.65
Plastec 35	14.56	22.44	16.25	23.14	11.81	5.11	22.83	17.71	19.68	6.69	8.26	12.75	12.75	27.55

Note: S is inlet diameter, S1 is outlet diameter