

Type UBCA

Belt Drive Centrifugal Upblast Power Roof Ventilators



AMERICAN COOLAIR CORPORATION

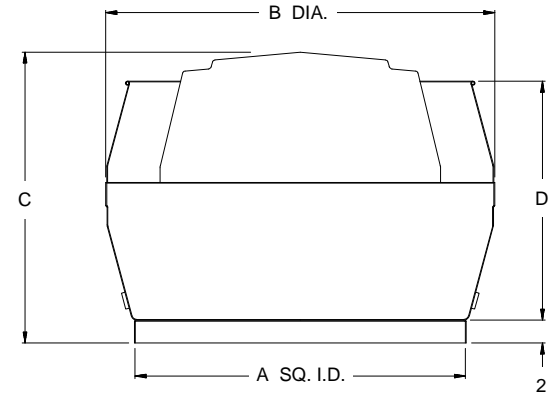
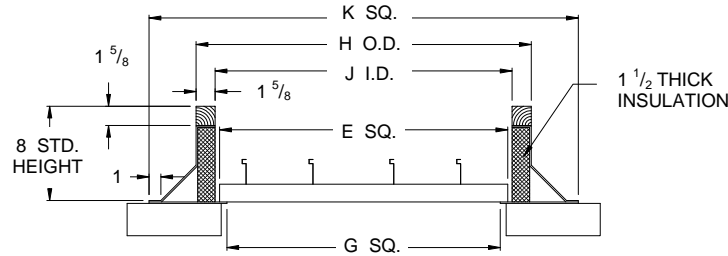
P.O. Box 2300 Jacksonville, Florida 32203
 Phone: (904) 389-3646
 Fax: (904) 387-3449 • (904) 381-7560
 E-mail: fans@coolair.com
 Website: www.coolair.com

Standard Fan Features

- Non-overloading aluminum wheel computer balanced.
- Force ventilated motor compartment isolated from airstream.
- Variable pitch motor pulley.
- Adjustable hinged motor bracket with bolt belt tension adjustment.
- Weatherproof spun aluminum housing.
- NEMA Standard open drip-proof motors.
- Overlapping wheel/inlet venturi.
- Built-in grease and water removal drain.
- Heavy duty self-aligning pillow-block bearings with cast iron housing.
- AMCA label for air and sound (Most models).

Optional Features

- UL Label for Standard 705 or Standard 762.
- Safety disconnect switch.
- Backdraft damper.
- Roof curb (damper shelf optional).
- Epoxy coating.
- Birdguard.
- Grease collector.
- Hinged base kit.
- Roof handle (Standard on UL762 units).



Size	Ventilator Dimensions				Roof Curb and Damper Dimensions				
	A	B	C	D	E	G	H	J	K
06-10	18	23 3/4	19	11 1/4	12 3/4	11 1/4	16 1/2	13 1/4	24 1/2
12-15	26	29 3/8	24 1/2	19 1/4	20 3/4	19 1/4	24 1/2	21 1/4	32 1/2
16-18	30	35 3/8	26 1/2	22 5/8	24 3/4	23 1/4	28 1/2	25 1/4	36 1/2
20	34	43 3/8	29 7/8	25 1/2	28 3/4	27 1/4	32 1/2	29 1/4	40 1/2
24	34	43 3/8	34 1/2	25 1/2	28 3/4	27 1/4	32 1/2	29 1/4	40 1/2
30	40	51 1/4	38 1/2	29 1/2	34 3/4	33 1/4	38 1/2	35 1/4	46 1/2
36	46	62 5/8	45 7/8	37 1/2	40 3/4	39 1/4	44 1/2	41 1/4	52 1/2
44	56	73	51 1/8	40	50 1/2	49 1/4	54 1/2	51 1/4	62 1/2

Dimensions In Inches

Check here for UL 705.

Check here for UL 762.

Specifications

FAN NO.	QTY.	FAN DATA					MOTOR DATA						ACCESSORIES AND REMARKS
		MODEL NO.	CFM	SP	RPM	SONES	HP	RPM	VOLTAGE	PH	HZ	ENCLOSURE	

PROJECT _____ ENGINEER _____ SUBMITTED BY _____ DATE _____

LOCATION _____ CONTRACTOR _____ APPROVED BY _____ DATE _____