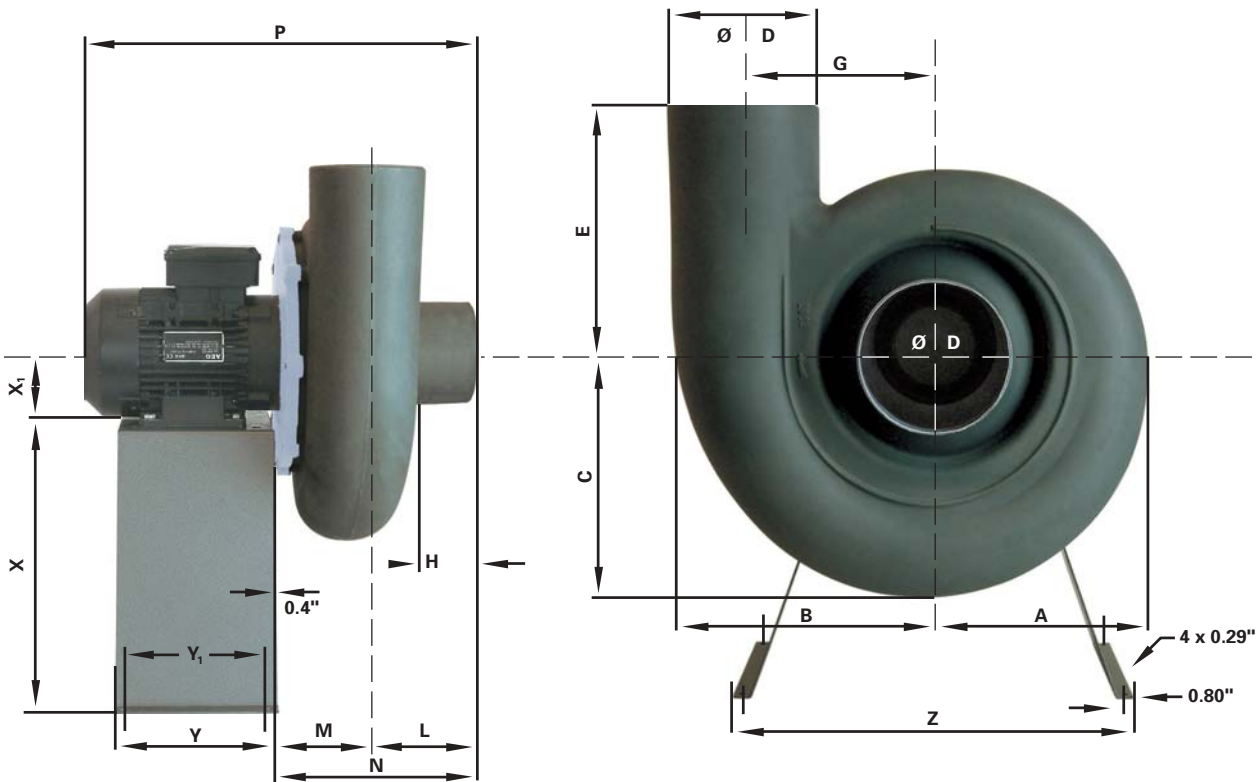




STORM 16



Metal stand does not come standard with fan (see accessories). Motor frame sizes may vary upon type of motor used.

DIMENSIONS (inches)

A	B	C	D ₁	E	G	H	L	M	N	P	Y	Y ₁	Z	X	X ₁
9.25	11.34	10.94	6.50	12.31	8.07	1.57	3.94	3.82	7.76	18.78	9.45	6.30	16.54	11.81	3.54

Rotation and Discharge for Centrifugal Fans

STANDARD POSITION

OPTIONAL FIELD ADJUSTABLE POSITIONS



Counter-Clockwise
Up Blast
CCW 360



Counter-Clockwise
Top Angular
Up Blast
CCW 45



Counter-Clockwise
Top Horizontal
CCW 90



Counter-Clockwise
Top Angular
Down Blast
CCW 135



Counter-Clockwise
Down-Blast
CCW 180



Counter-Clockwise
Bottom Angular
Down Blast
CCW 225



Counter-Clockwise
Bottom
Horizontal
CCW 270

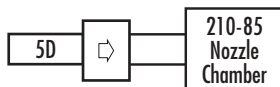
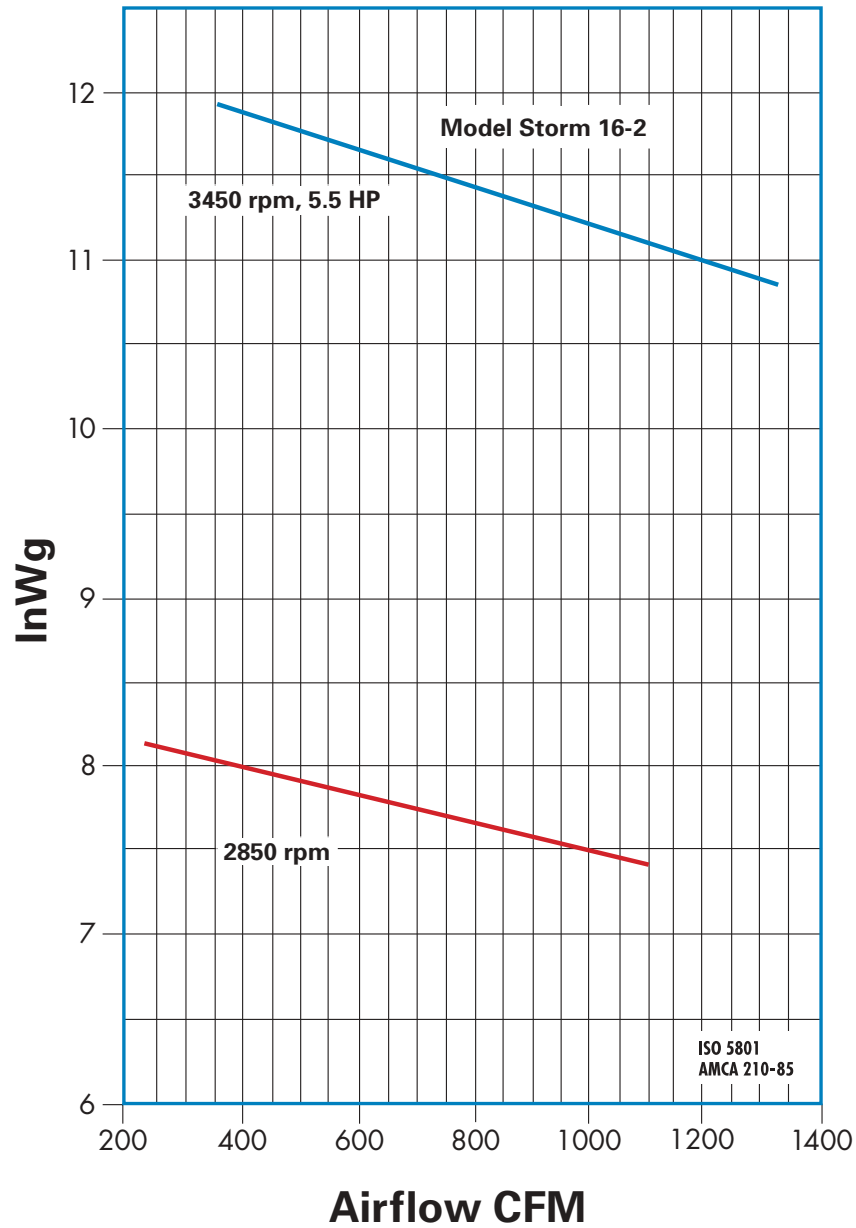


Counter-Clockwise
Bottom Angular
Up Blast
CCW 315

Notes:

- (1) Direction of rotation is determined from the drive side of fan. **Standard position is up-blast CCW 360.**
- (2) On single inlet fans, drive side is always considered as the side opposite fan inlet.

STORM 16



Type B
Noise Level Test type B, visit our website for details

n (T/min) R.P.M.	dB (A)	dB
1450	79,3	92,6
1720	83,3	98,2
2850	94,8	110
3300	98,2	114,2



Type D
Ducted inlet/Ducted outlet

Housing and motor noise level when fan is running near maximum output

n (T/min) R.P.M.	Global dB	Global dB (A)
1450	90,6	77,7
1720	99,1	81,8
2850	115,8	93,8
3300	119	97

ISO 9614/1