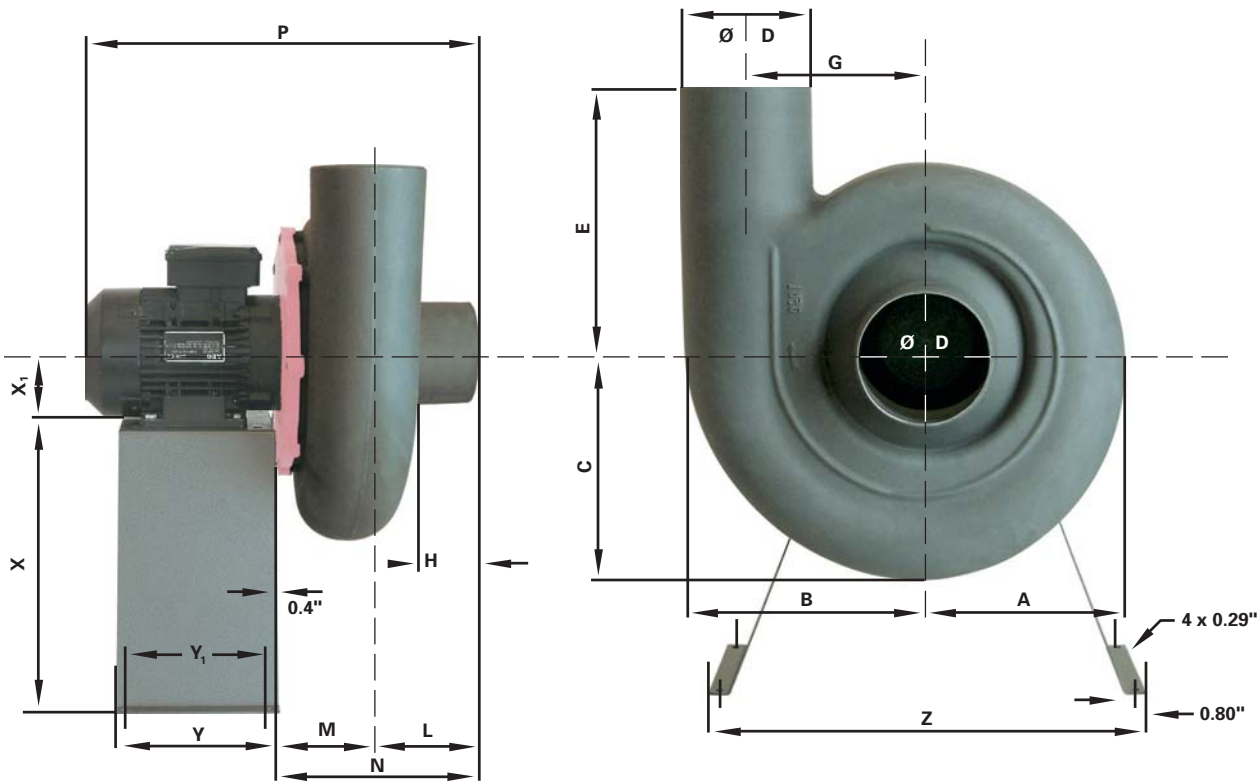




STORM 14



Metal stand does not come standard with fan (see accessories). Motor frame sizes may vary upon type of motor used.

DIMENSIONS (inches)

| A | B | C | D | E | G | H | L | M | N | P | Y | Y ₁ | Z | X | X ₁ |
|------|------|------|------|-------|------|------|------|------|------|-------|------|----------------|-------|------|----------------|
| 7.40 | 9.13 | 8.94 | 4.53 | 10.58 | 6.69 | 4.17 | 6.33 | 3.27 | 9.60 | 19.05 | 7.09 | 6.30 | 13.39 | 9.45 | 3.15 |

Rotation and Discharge for Centrifugal Fans

STANDARD POSITION

OPTIONAL FIELD ADJUSTABLE POSITIONS



Counter-Clockwise
Up Blast
CCW 360



Counter-Clockwise
Top Angular
Up Blast
CCW 45



Counter-Clockwise
Top Horizontal
CCW 90



Counter-Clockwise
Top Angular
Down Blast
CCW 135



Counter-Clockwise
Down-Blast
CCW 180



Counter-Clockwise
Bottom Angular
Down Blast
CCW 225



Counter-Clockwise
Bottom
Horizontal
CCW 270

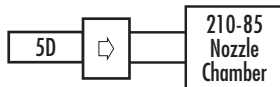
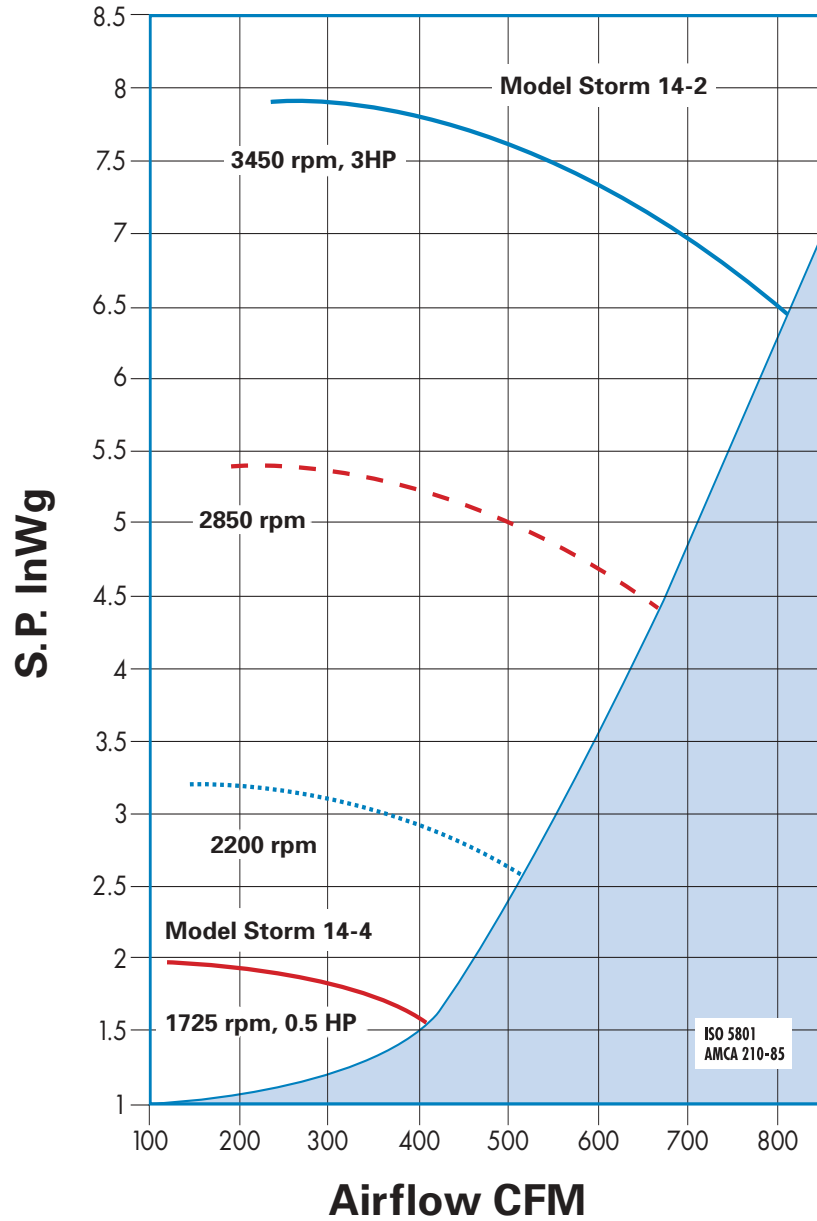


Counter-Clockwise
Bottom Angular
Up Blast
CCW 315

Notes:

- (1) Direction of rotation is determined from the drive side of fan. **Standard position is up-blast CCW 360.**
- (2) On single inlet fans, drive side is always considered as the side opposite fan inlet.

STORM 14



Type B
Noise Level Test type B, visit our website for details

| n (T/min) R.P.M. | dB (A) | dB |
|---------------------|--------|-------|
| 1450 | 75 | 87,3 |
| 1720 | 78,8 | 90,8 |
| 2850 | 89,3 | 105,8 |
| 3300 | 93,1 | 110,5 |



Type D
Ducted inlet/Ducted outlet

Housing and motor noise level when fan is running near maximum output

| n (T/min) R.P.M. | Global dB | Global dB (A) |
|---------------------|-----------|---------------|
| 1450 | 65,4 | 61,1 |
| 1720 | 69,1 | 69,1 |
| 2850 | 82,1 | 78 |
| 3300 | 86,7 | 81,8 |

ISO 9614/1