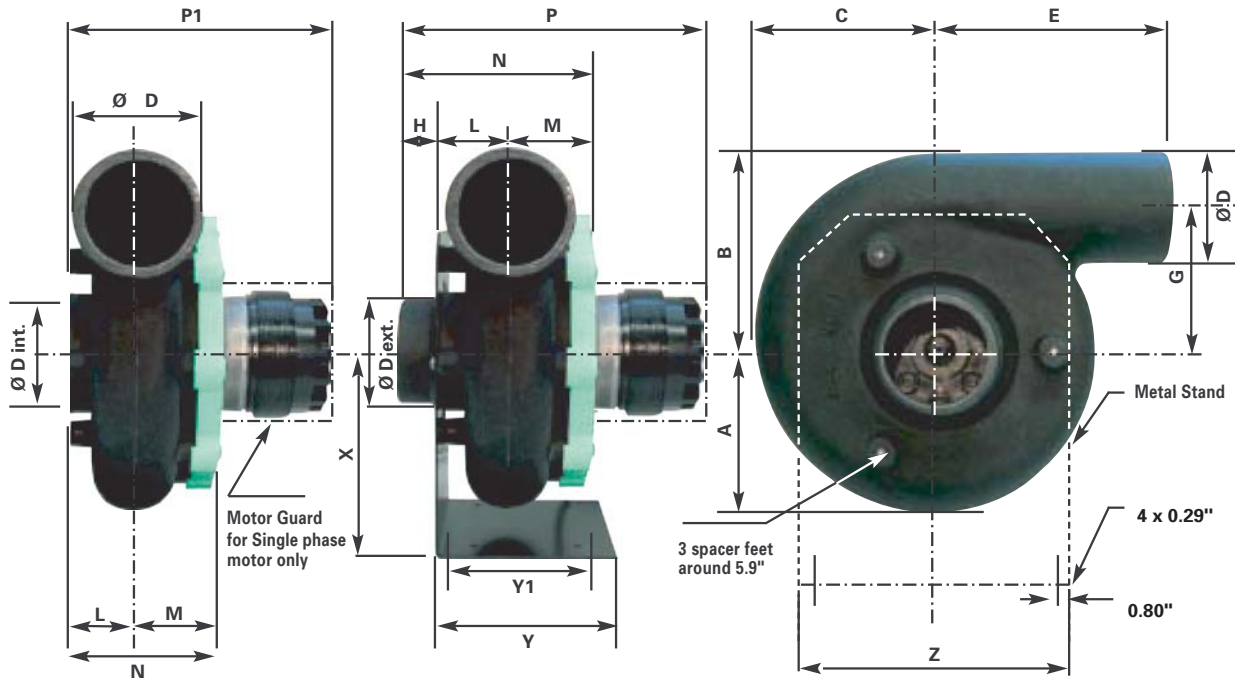




# STORM 10 XRM

— **INSIDE USE ONLY** —  
 For outside use applications see *STORM 10*



*Metal stand does not come standard with fan (see accessories pricing).*

## DIMENSIONS (inches)

A	B	C	D	E	G	H	L	M	N	Y	Y <sub>1</sub>	Z	X
4.53	5.31	5.00	2.95	6.22	3.82	1.26	1.89	2.24	5.39	4.72	3.94	6.50	5.31

## Rotation and Discharge for Centrifugal Fans

### STANDARD POSITION



Counter-Clockwise Up Blast CCW 360	Counter-Clockwise Top Angular Up Blast CCW 315	Counter-Clockwise Top Horizontal CCW 270	Counter-Clockwise Top Angular Down Blast CCW 225	Counter-Clockwise Bottom Angular Up Blast CCW 45
--	---	--	---	---

P <sub>1</sub>	P	MOTOR TYPE
6.80	7.95	Single Phase XRM 4 Pole

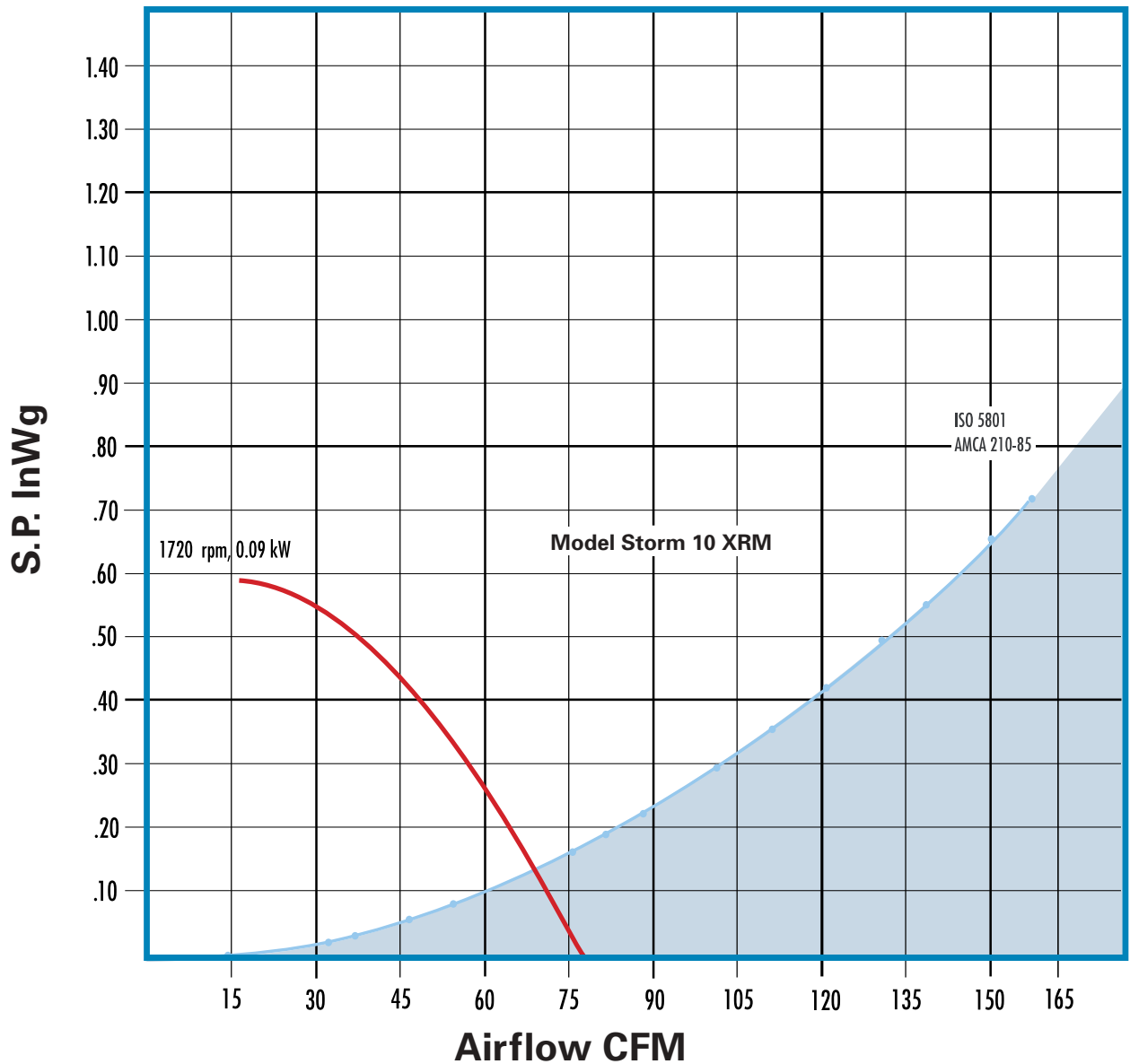
### Notes:

- (1) Direction of rotation is determined from the drive side of fan. **Standard position is up-blast CCW 360.**
- (2) On single inlet fans, drive side is always considered as the side opposite fan inlet.

# STORM 10 XRM



— **INSIDE USE ONLY** —  
 For outside use applications see *STORM 10*



n (T/min) R.P.M.	dB (A)	dB
1720	57,1	67,4



Housing and motor noise level when fan is running near maximum output

n (T/min) R.P.M.	Global dB	Global dB (A)
1720	68,1	56,5

ISO 13347