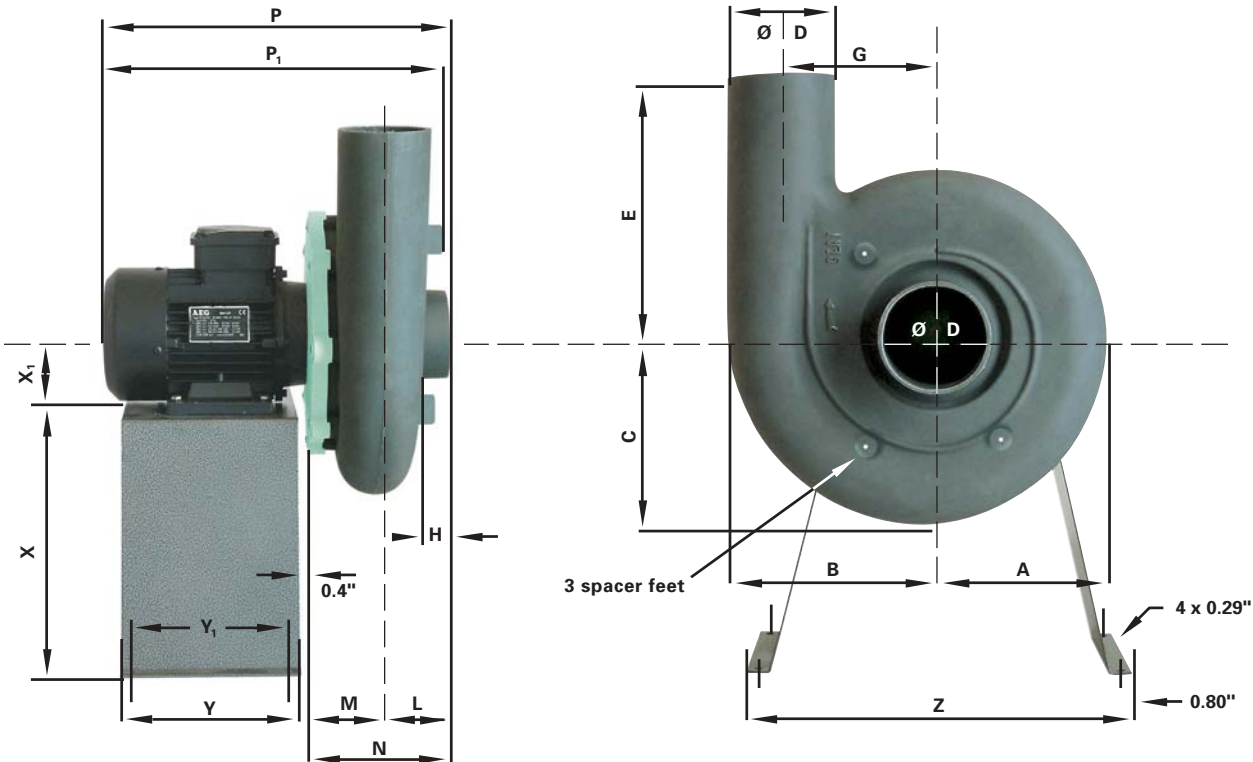




STORM 10



Metal stand does not come standard with fan (see accessories). Motor frame sizes may vary upon type of motor used.

DIMENSIONS (inches)

A	B	C	D	E	G	H	L	M	N	Y	Y ₁	Z	X
4.53	5.31	5.00	2.95	6.22	3.82	1.26	1.90	2.24	4.14	7.09	6.30	13.39	9.45

Notes:

- (1) Direction of rotation is determined from the drive side of fan. **Standard position is up-blast CCW 360.**
- (2) On single inlet fans, drive side is always considered as the side opposite fan inlet.

P ₁	P	X ₁	MOTOR TYPE
10.73	11.88	2.30	Single Phase .12 HP 4 Pole
13.75	14.90	3.16	Single Phase .33 HP 2 Pole
18.00	19.15	3.43	Single Phase .50 HP 2 Pole/4 Pole Explosion-Proof

Rotation and Discharge for Centrifugal Fans

STANDARD POSITION

OPTIONAL FIELD ADJUSTABLE POSITIONS



Counter-Clockwise
Up Blast
CCW 360



Counter-Clockwise
Top Angular
Up Blast
CCW 315



Counter-Clockwise
Top Horizontal
CCW 270



Counter-Clockwise
Top Angular
Down Blast
CCW 225



Counter-Clockwise
Down-Blast
CCW 180



Counter-Clockwise
Bottom Angular
Down Blast
CCW 135

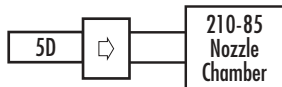
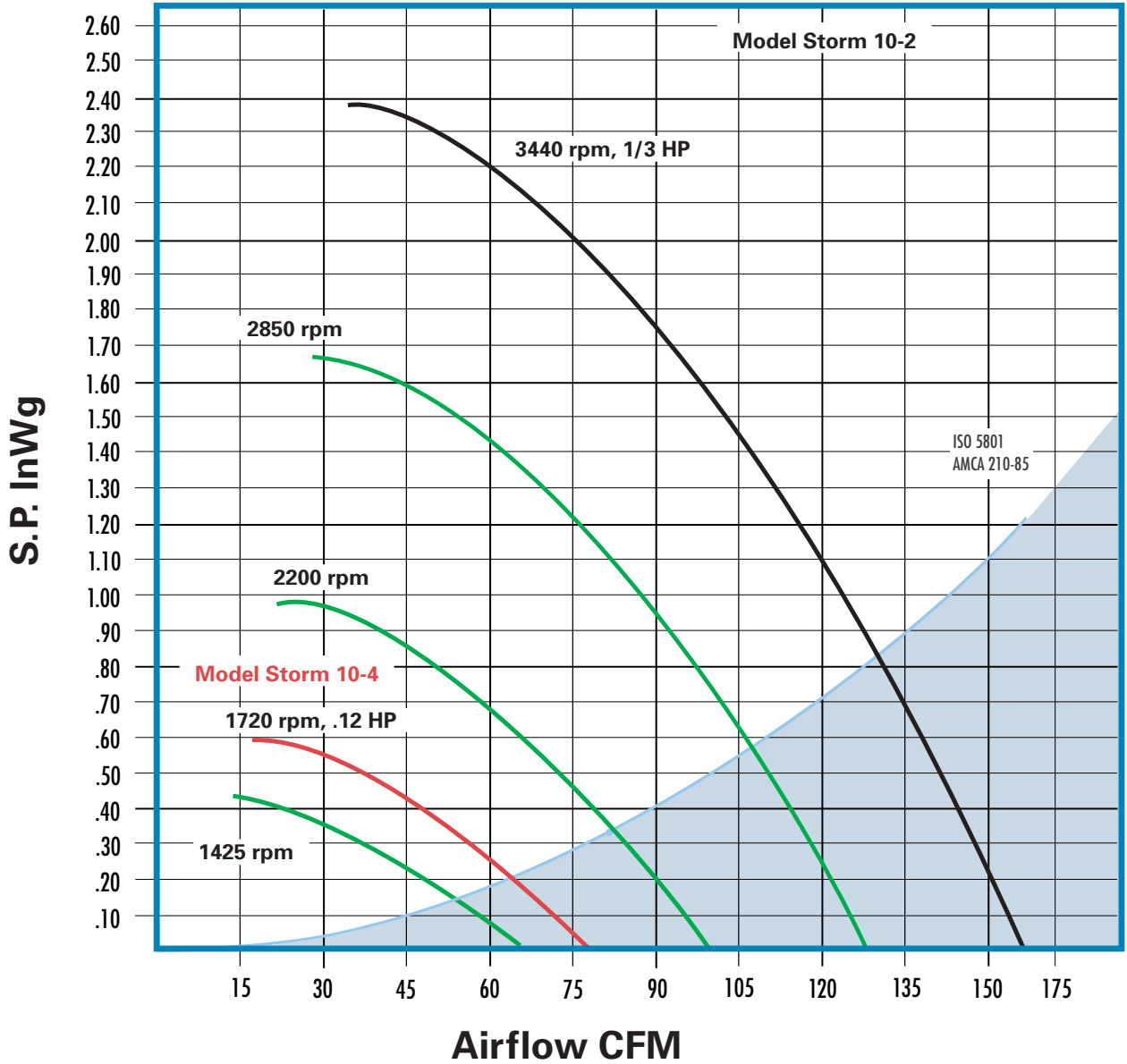


Counter-Clockwise
Bottom
Horizontal
Up Blast
CCW 90



Counter-Clockwise
Bottom Angular
Up Blast
CCW 45

STORM 10



Type B
Noise Level Test type B, visit our website for details

n (T/min) R.P.M.	dB (A)	dB
1435	52,3	61,6
1720	57,1	67,4
2870	69,7	80,8
3440	74,1	85,2



Type D
Ducted inlet/Ducted outlet

Housing and motor noise level when fan is running near maximum output

n (T/min) R.P.M.	Global dB	Global dB (A)
1435	62,9	51,6
1720	68,1	56,5
2870	81,1	69,6
3440	85,5	74,4

ISO 13347