

SRT Centrifugal Filtered Supply Fans

Direct Drive

Catalog SRT01-July 2007



The World's Leading Producer of
Air Movement Products



Soler & Palau USA, Div. of Soler & Palau Ventilation Group, certifies that the Model SRT shown herein are licensed to bear the AMCA Seal. The ratings shown are based on test and procedures performed in accordance with AMCA Publication 211 and AMCA Publication 311 and comply with the requirement of the AMCA Certified Ratings Program.

Soler&Palau
Ventilation Group

COMMERCIAL PRODUCT LINE

Application

Model SRT fans are roof curb mounted filtered supply fans rated up to 1256 CFM, with static pressure capabilities to 1.0 inch. The primary use of these fans is filtered make-up air in commercial and industrial applications such as manufacturing, restaurants, kitchens and assembly areas.

Model SRT's rugged design with heavy-gauge aluminum construction provides maximum weather protection, long life and the utmost in performance efficiency. The backward inclined centrifugal blower provides efficient air flow at low sound levels with higher static pressure capabilities to handle ducted air systems.

Filters are washable and are reusable to reduce maintenance cost. Easy access hood makes routine cleaning and maintenance fast and easy.

Model SRT is backed by a one year fan and motor warranty (see warranty details on page 3). All fans are factory test run before shipping for quality assurance.

Construction / Specification Checklist

Wheel/Housing

- Statically and dynamically balanced backward inclined wheel.
- Matching spun aluminum inlet.
- 18-gauge galvanized steel structural support.
- Prepunched mounting holes.
- Conduit opening for wiring from below unit.
- Removable side panels for access to motor and wheel.

Hood

- Easy access heavy-gauge aluminum hood.
- Oversized for weather protection.
- 1" washable aluminum mesh filters.

Speed Controllable Motors

- 1 Year warranty.
- Brands are nationally recognized and locally serviced.
- Open drip-proof construction is standard.
- All motors are rated for continuous duty.
- Motors ship mounted as standard.
- Standard NEMA3 disconnect switch (ships loose).

Certifications

- AMCA Air and Sound Licensed.

Options/Accessories

Roof Curb: Prefabricated heavy-gauge galvanized steel, welded construction, 12" high with 1 1/2" wood nailer. Options include single and double pitch construction and additional curb heights.

Dampers: Motor operated for positive closure backdraft or automatic (counter balanced).

Solid State Speed Control (ships loose):

Soler Palau's solid state speed control is matched to the motor and wheel to allow continuous reduction in performance allowing adjustments of airflow for system balancing. CFM is reduced in direct proportion to motor speed reduction. Speed control is available for 115 or 230 volt single phase. Fan performance can be controlled from the ventilated area.

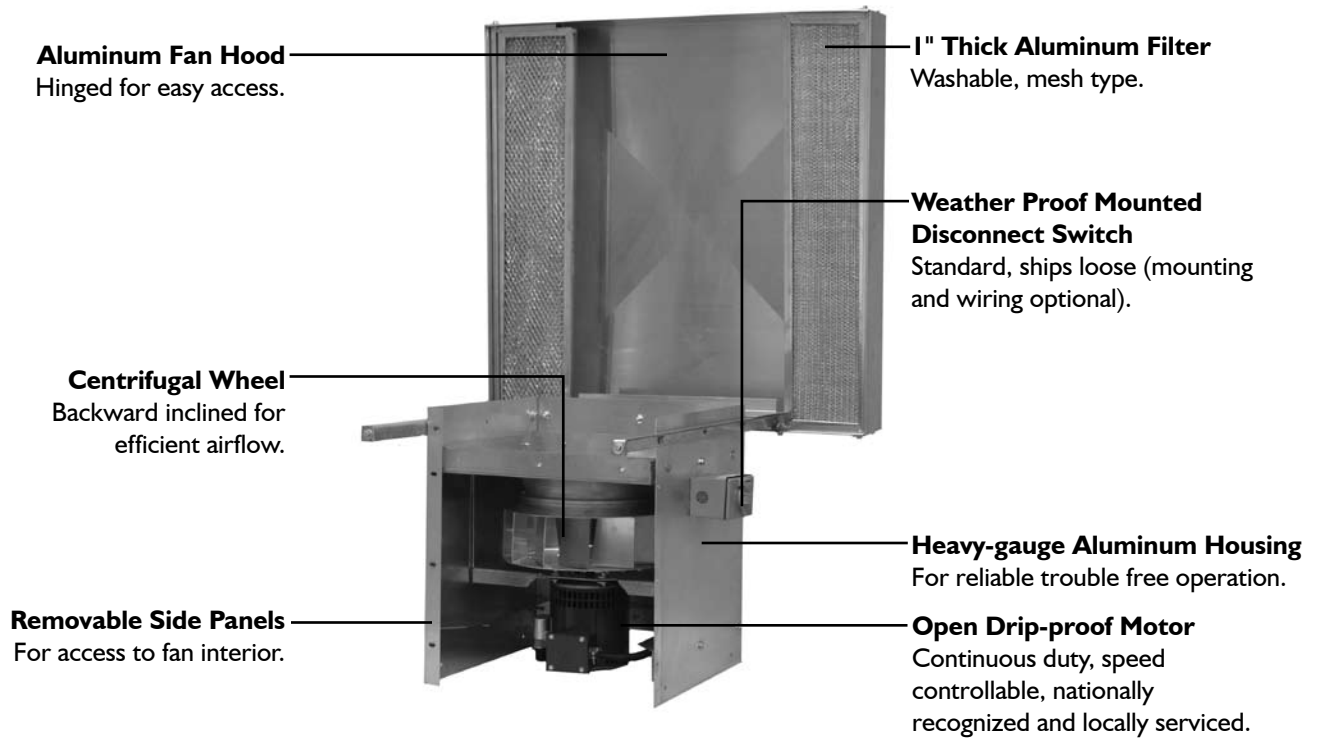
Special Coatings: Epoxy, Heresite and synthetic resin are available when special coatings are required.

Optisizer Fan Selection Program

Please refer to Soler & Palau USA's Optisizer fan selection program for fan curve, submittal information and other details regarding the SRT series and all other Soler & Palau products. Log onto www.solerpalau-usa.com to download your copy of Optisizer and additional information.

All specifications are subject to change without notice unless approved in submittal by Soler & Palau USA.

MODEL SRT



1-Year Fan and Motor Warranty

Typical Specifications

The model SRT-10 is a roof mounted filtered supply fan rated up to 1256 CFM of airflow, with static pressure capability up to 1" w.g. It is ideal for replacing used/contaminated exhaust air with fresh filtered make-up air in commercial and industrial environments. The direct drive SRT unit includes a backward inclined nonoverloading wheel which is suitable for both ducted and nonducted applications. Model SRT's rugged heavy-gauge aluminum hood and stack provide maximum weather protection and long life in an elegant, low-profile housing. The washable 1" thick aluminum mesh filter is protected by the hood, yet is very easy to remove from the hinged hood. The I-PH speed-controllable motor is open drip-proof and 115/208-230 volts, 60/50 HZ, 1625/1400 RPM for maximum versatility.

SOLER & PALAU USA LIMITED WARRANTY

Soler & Palau USA (manufacturer), 6393 Powers Avenue, Jacksonville, Florida 32217, warrants equipment of its manufacture to be free from defects in design, materials and workmanship (exclusive of abrasion, corrosion or erosion) for one (1) year from the date of receipt or the date of shipment to the original purchaser or the date of notification of readiness to ship. Motor warranty is one (1) year. In order to claim the benefit of this warranty, buyer must notify manufacturer in writing of the claimed defect within ten (10) days after discovering it and return this equipment or parts to the factory with transportation prepaid. In the event of on-site repair, no service technician will be dispatched until manufacturer receives your written purchase order. If any of the following conditions exist, the warranty will be null and void: **(1)** Buyer has permitted other persons not approved or authorized by manufacturer to alter, adjust, replace or repair the equipment or any part thereof. **(2)** Buyer has not followed instructions or other directions given in the contract documents or our maintenance manual. **(3)** When breakage or other loss or damage is the result of any negligence, misuse or fault on the part of any operator or other person not under our supervision or control. **(4)** The defect is the result of designs or drawings made, furnished or specified by others. **(5)** In the case of goods not manufactured but supplied by the manufacturer as part of a contract, manufacturer shall only be liable to the same extent that our supplier is to manufacturer, not to exceed any liability manufacturer would have for warranty on our own equipment. **(6)** Buyer has not paid in full any invoices submitted to buyer which are due for payment. **(7)** Unusual wear and tear of the equipment. Statements relating to the product, its use or installation made prior to the execution of the agreement, are not warranties except to the extent that the contrary is expressly set forth herein. It is understood that such statements were not intended to, and did not, form a part of the agreement; they were merely made in the course of negotiations of the parties. **THIS WARRANTY IS IN LIEU OF ANY OTHER EXPRESS OR IMPLIED WARRANTIES, INCLUDING ANY IMPLIED WARRANTY OF MERCHANTABILITY OR FITNESS FOR ANY PARTICULAR PURPOSE. OUR SOLE AND EXCLUSIVE OBLIGATION UNDER THIS WARRANTY IS TO REPAIR OR REPLACE DEFECTIVE EQUIPMENT OR PARTS OR, AT OUR OPTION, TO PAY THE REASONABLE COST OF REPAIR OR REPLACEMENT. BUYER AGREES THAT NO OTHER REMEDY (INCLUDING, BUT NOT LIMITED TO, INCIDENTAL OR CONSEQUENTIAL DAMAGES, DAMAGES FOR LOST PROFITS OR SALES, OR DAMAGES FOR INJURIES TO PERSON OR PROPERTY) SHALL BE AVAILABLE. NOTWITHSTANDING THE ABOVE, THE TOTAL AMOUNT THAT MAY IN ANY EVENT BE PAYABLE IN SETTLEMENT OF LIABILITY, HOWEVER INCURRED, SHALL NOT EXCEED THE CONTRACT PRICE.**

Performance Data

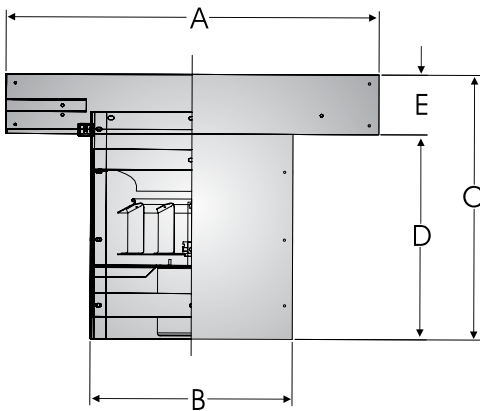
CFM / BHP @ Static Pressure / Sones									HP	RPM	Tip Speed
0	1/8	1/4	3/8	1/2	5/8	3/4	1	Catalog Number			
1026 .21/10.4	945 .20/9.9	853 .20/9.5	748 .19/9.1	623 .18/9.1	471 .16/9.2	269 .12/8.9	-	SRT1025S+	1/4	1340	4294
1057 .23/10.8	978 .23/10.4	890 .22/10.0	790 .22/9.6	673 .21/9.5	534 .19/9.6	357 .16/9.5	-	SRT1025S+	1/4	1380	4422
1088 .25/11.3	1011 .25/10.8	927 .24/10.4	831 .24/10.1	721 .23/9.9	592 .21/10.0	434 .18/10.1	-	SRT1025S+	1/4	1420	4550
1118 .27/11.7	1044 .27/11.3	963 .27/10.9	871 .26/10.5	767 .25/10.3	647 .23/10.4	503 .21/10.5	-	SRT1033S+	1/3	1460	4678
1157 .30/12.3	1085 .30/11.9	1007 .29/11.5	920 .29/11.1	823 .28/10.8	712 .27/10.9	582 .24/10.9	-	SRT1033S+	1/3	1510	4839
1203 .34/13.0	1134 .34/12.6	1060 .33/12.3	978 .33/11.9	887 .32/11.5	785 .31/11.5	669 .29/11.5	363 .22/11.3	SRT1033	1/3	1570	5031
1218 .36/13.2	1150 .35/12.9	1077 .35/12.5	997 .34/12.1	908 .33/11.8	809 .32/11.7	696 .30/11.8	405 .24/11.6	SRT1050S+	1/2	1590	5095
1241 .38/13.6	1175 .37/13.2	1103 .37/12.8	1025 .36/12.5	939 .35/12.1	844 .34/12.0	736 .32/12.1	465 .26/12.1	SRT1050S+	1/2	1620	5191
1256 .39/13.9	1191 .38/13.5	1121 .38/13.1	1044 .37/12.7	960 .37/12.4	867 .35/12.2	762 .34/12.3	502 .28/12.4	SRT1050	1/2	1640	5255

Performance certified is for installation type A - Free inlet, Free outlet. Power rating (BHP) does not include transmission losses. Performance ratings include the effects of inlet filters.
 The sound ratings shown are in loudness values in fan sones at 1.5m (5 ft.) in a hemispherical free field calculated per AMCA Standard 301. Values shown are for Installation type A - Free inlet fan sone levels.
 Base unit - AMCA Seal for Sound Rating does not apply to units with speed control.
 + RPM range capable with solid state speed control.
 Model numbers ending in S require solid state speed control.



Soler & Palau USA, Div. of Soler & Palau Ventilation Group, certifies that the Model SRT shown herein are licensed to bear the AMCA Seal. The ratings shown are based on test and procedures performed in accordance with AMCA Publication 211 and AMCA Publication 311 and comply with the requirement of the AMCA Certified Ratings Program.

Dimensional Data



Model Number	Dimensions (in.)					Curb OD	Damper OD	Approx. Unit Wt.
	A	B	C	D	E			
SRT-10	31-1/4	16-5/8	22-1/4	17-1/4	5	14-3/4	10-1/2	70 lb.

DUE TO CONTINUING RESEARCH SOLER & PALAU USA RESERVES THE RIGHT TO CHANGE SPECIFICATIONS WITHOUT NOTICE

Distributed By:



Soler & Palau USA
 6393 Powers Avenue
 Jacksonville, FL 32217
 800.961.7370
 800.961.7379
 www.solerpalau-usa.com