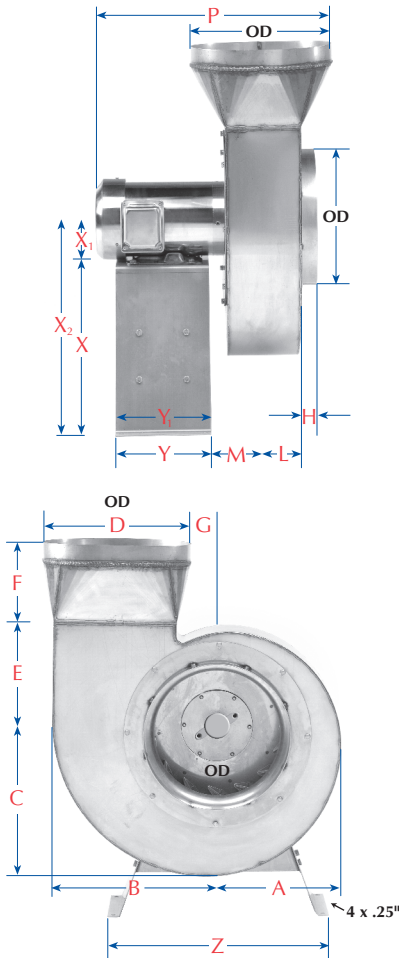




# Performance & Dimensions

## PSS35BI Stainless Steel Utility Blower



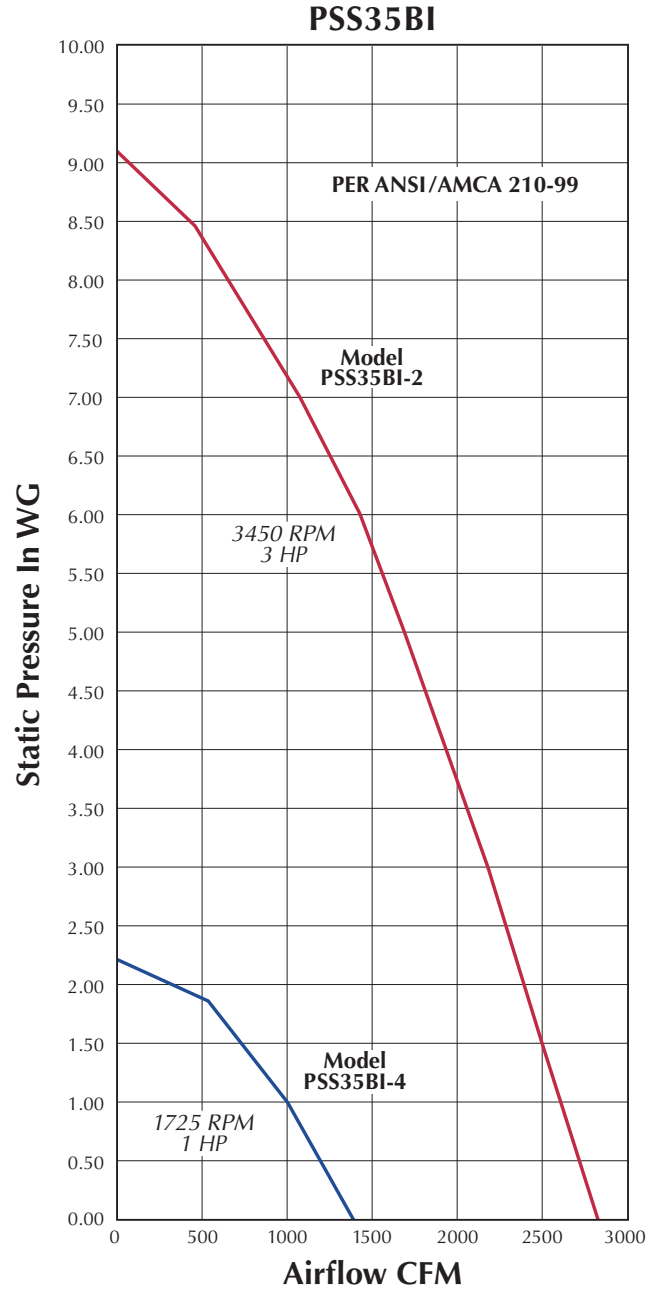
### Dimensional Data

A	10.00	E	6.50	L	3.00	Y <sub>1</sub>	7.00
B	7.75	F	6.75	M	3.00	Z	18.75
C	21.50	G	4.00	P	20.00	X	13.50
D	12.00	H	1.50	Y	8.00	X <sub>1</sub>	3.50
						X <sub>2</sub>	17.00

(All dimensions in inches)

Wheel Diameter 13.50"

Dimensions for P, X<sub>1</sub>, and X<sub>2</sub> will vary depending upon motor selection.



AMCA BAND NUMBER:	1	2	3	4	5	6	7	8	POINT OF OPERATION
CENTER FREQUENCY (Hz):	63	125	250	500	1000	2.0K	4.0K	8.0K	
<b>Determination No.: 1</b>									<i>P<sub>s</sub>: 0.00 in. wg</i>
<i>L<sub>wi</sub> (dB):</i>	104	99	102	102	98	92	91	87	<i>Q: 2871 cfm N: 3490 rpm</i>
<b>Determination No.: 2</b>									<i>P<sub>s</sub>: 3.40 in. wg</i>
<i>L<sub>wi</sub> (dB):</i>	107	98	100	101	94	89	87	82	<i>Q: 2143 cfm N: 3487 rpm</i>
<b>Determination No.: 3</b>									<i>P<sub>s</sub>: 6.05 in. wg</i>
<i>L<sub>wi</sub> (dB):</i>	105	105	101	98	93	88	85	79	<i>Q: 1400 cfm N: 3505 rpm</i>
<b>Determination No.: 4</b>									<i>P<sub>s</sub>: 8.25 in. wg</i>
<i>L<sub>wi</sub> (dB):</i>	99	101	96	95	93	87	83	78	<i>Q: 562 cfm N: 3528 rpm</i>

This data was obtained in a laboratory accredited for AMCA 300 Sound Testing.

Type D, Ducted Inlet/Outlet

AMCA Standard 300-95