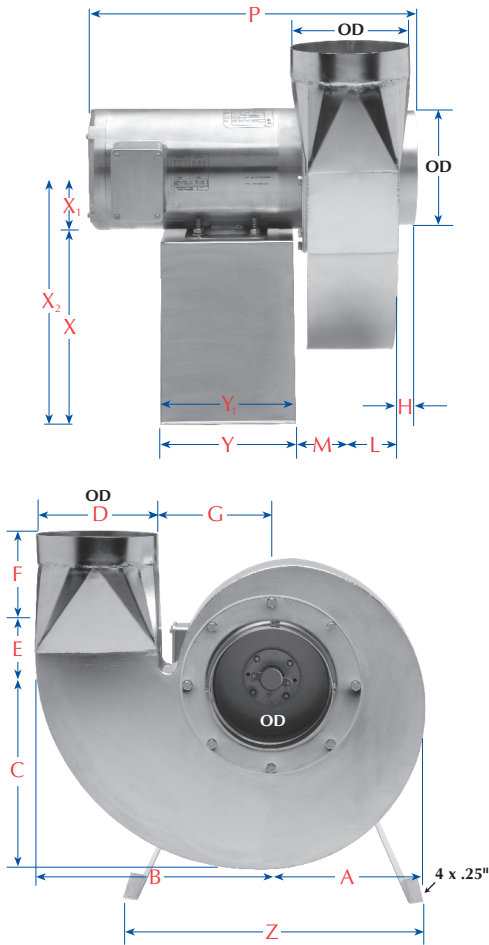




Performance & Dimensions

PSS20 Stainless Steel Utility Blower



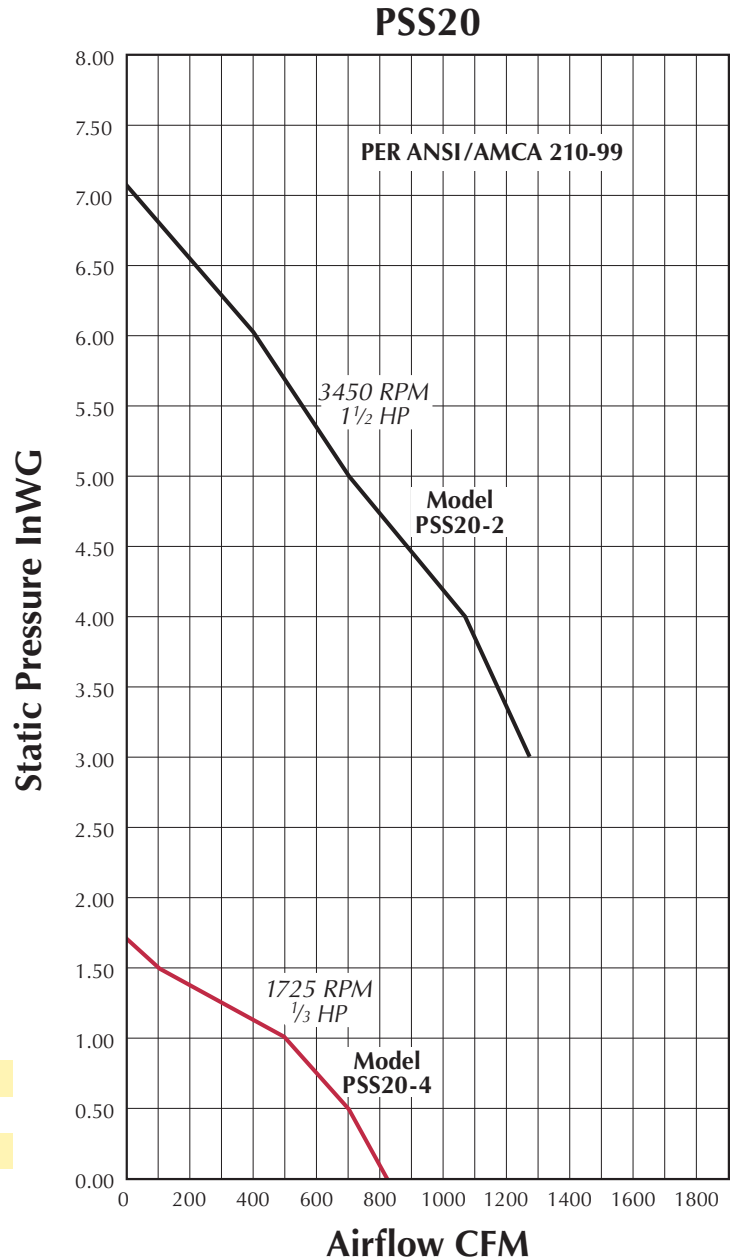
Dimensional Data

A	8.25	E	4.5	L	2.39	Y ₁	6.25
B	12.50	F	1.75	M	2.39	Z	13.75
C	12	G	6.50	P	18.50	X	9.50
D	6.30	H	1.30	Y	7.25	X ₁	3.25
						X ₂	12.75

(All dimensions in inches)

Wheel Diameter 7.70"

Dimensions for P, X₁, and X₂ will vary depending upon motor selection.



AMCA BAND NUMBER:	1	2	3	4	5	6	7	8	POINT OF OPERATION
CENTER FREQUENCY (Hz):	63	125	250	500	1000	2.0K	4.0K	8.0K	
Determination No.: 1									<i>P_s: 0.00 in. wg</i>
<i>L_{wi} (dB):</i>	99 ¹	93 ¹	92 ¹	89 ¹	86 ¹	87 ¹	83 ¹	80 ¹	<i>Q: 1625 cfm N: 3388 rpm</i>
Determination No.: 2									<i>P_s: 4.25 in. wg</i>
<i>L_{wi} (dB):</i>	100 ¹	91 ¹	94 ¹	84 ¹	81 ¹	81 ¹	78 ¹	75 ¹	<i>Q: 1028 cfm N: 3477 rpm</i>
Determination No.: 3									<i>P_s: 4.90 in. wg</i>
<i>L_{wi} (dB):</i>	104 ¹	99 ¹	94 ¹	83 ¹	79 ¹	79 ¹	77 ¹	74 ¹	<i>Q: 651 cfm N: 3509 rpm</i>
Determination No.: 4									<i>P_s: 6.25 in. wg</i>
<i>L_{wi} (dB):</i>	106 ¹	97 ¹	92 ¹	85 ¹	80 ¹	77 ¹	75 ¹	72 ¹	<i>Q: 206 cfm N: 3548 rpm</i>

This data was obtained in a laboratory accredited for AMCA 300 Sound Testing.

Type D, Ducted Inlet/Outlet

AMCA Standard 300-95