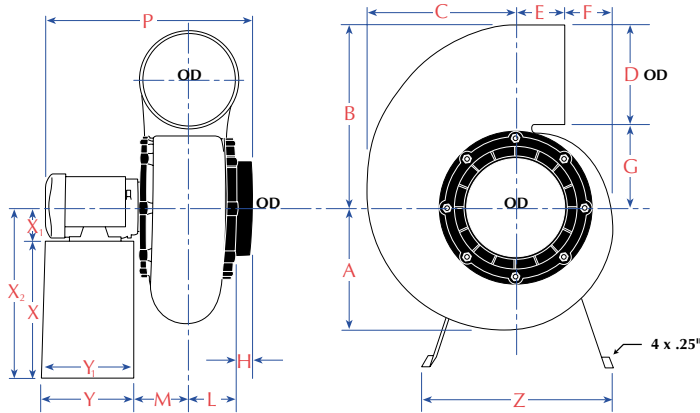
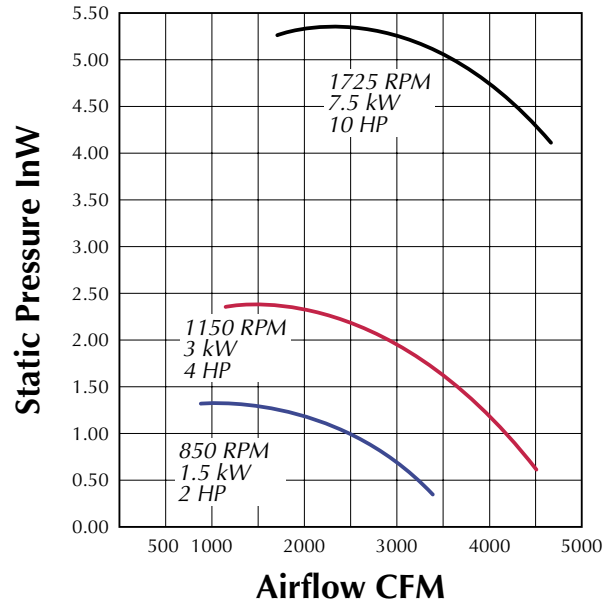




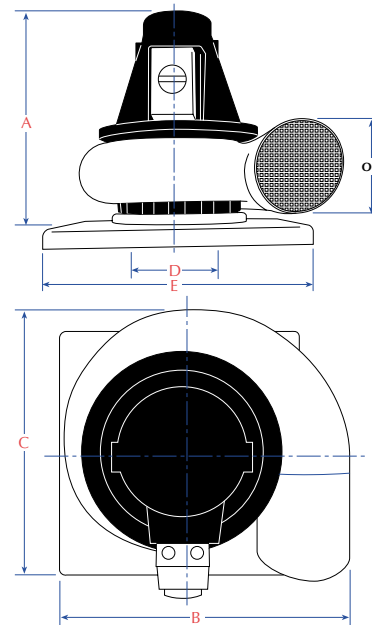
# Performance & Dimensions

## Plastec 35 Utility Blower

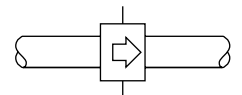
### Plastec 35



### Dimensional Data Roof Unit



- A 34.65
  - B 37.40
  - C 33.46
  - D 12.75
  - E 27.56 x 27.56 (inside)
- All dimensions in inches



Noise Level  
(Ducted inlet/outlet)  
Measured at 5 feet.

R.P.M.	LWA dB (A)
850	64
1150	71
1725	82

### Dimensional Data

A 14.57	F 6.69	Y 13.78
B 22.44	G 10.04	Y <sub>1</sub> 12.36
C 17.72	H 2.36	Z 23.62
D 12.75	L 5.91	X 18.43
E 5.12	M 6.69	X <sub>1</sub> 4.41
All dimensions in inches	P 28.50	X <sub>2</sub> 22.83

Wheel Diameter 14.37"

Dimensions for P, X, and X<sub>2</sub> will vary depending upon motor selection.

For **Weather Protection** see accessory "Weather Hood Enclosed Pedestal" pictured at right.



Plastec 35  
with Roof Unit Kit