



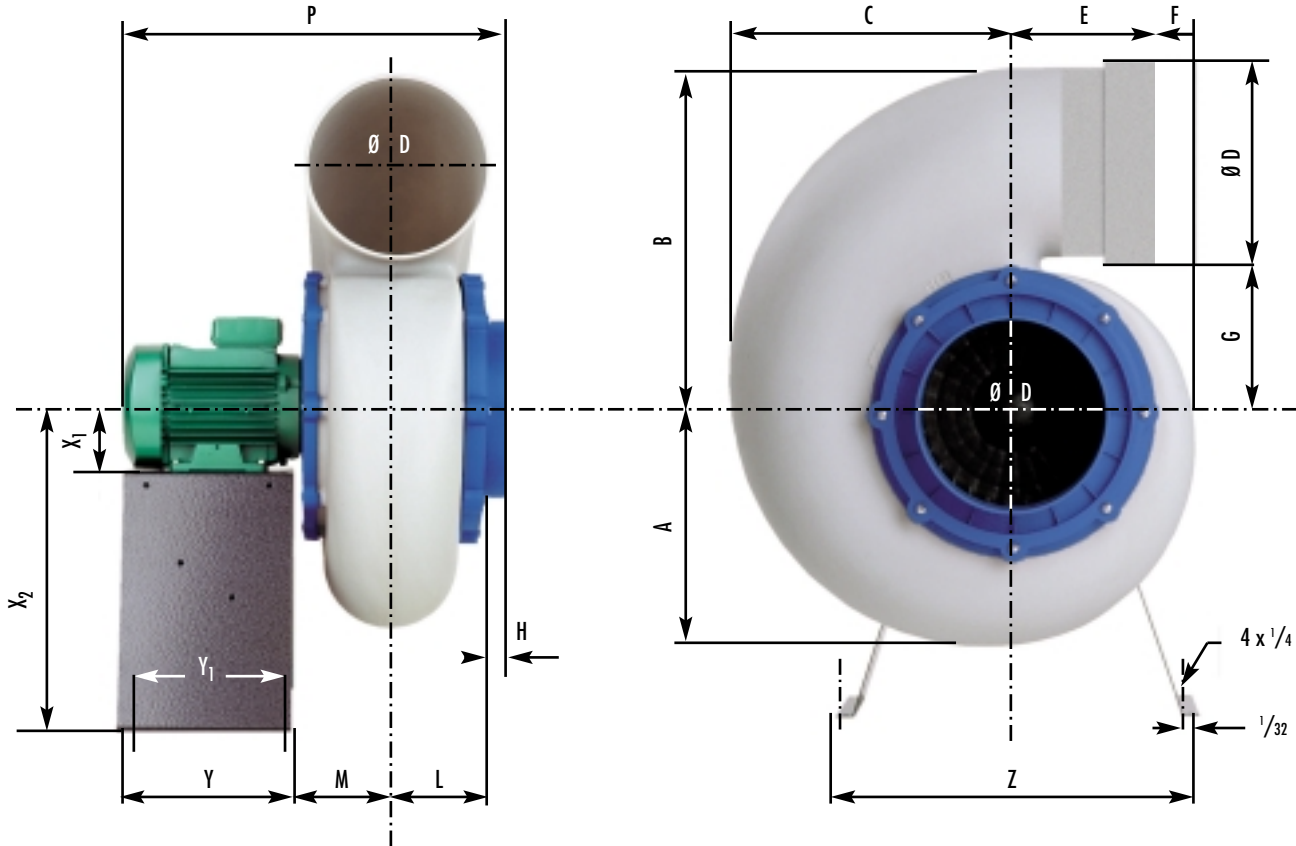
PHONE: (941) 360-2422

FAX: (941) 360-2522

PLASTEC 30

Inlet Out. Dia. 9.84"

Wheel Dia. 11.81"
Outlet Out. Dia. 10.75"



Shop/CAD drawings available on request

DIMENSIONS (in)												
A	B	C	D	E	F	G	H	L	M	Y	Y ₁	Z
11 ^{-3/16}	18 ^{-3/16}	14 ^{-11/16}	10 ^{-3/4}	7	2	7 ^{-5/16}	1 ^{-1/3}	4 ^{-5/16}	4 ^{-3/4}	9 ^{-2/16}	8 ^{-11/16}	18 ^{-1/8}

	1150 RPM	1725 RPM
X ₁	3 ^{-1/8}	3 ^{-3/16}
X ₂	17 ^{-11/16}	18 ^{-1/8}
P	22 ^{-7/16}	23 ^{-5/8}

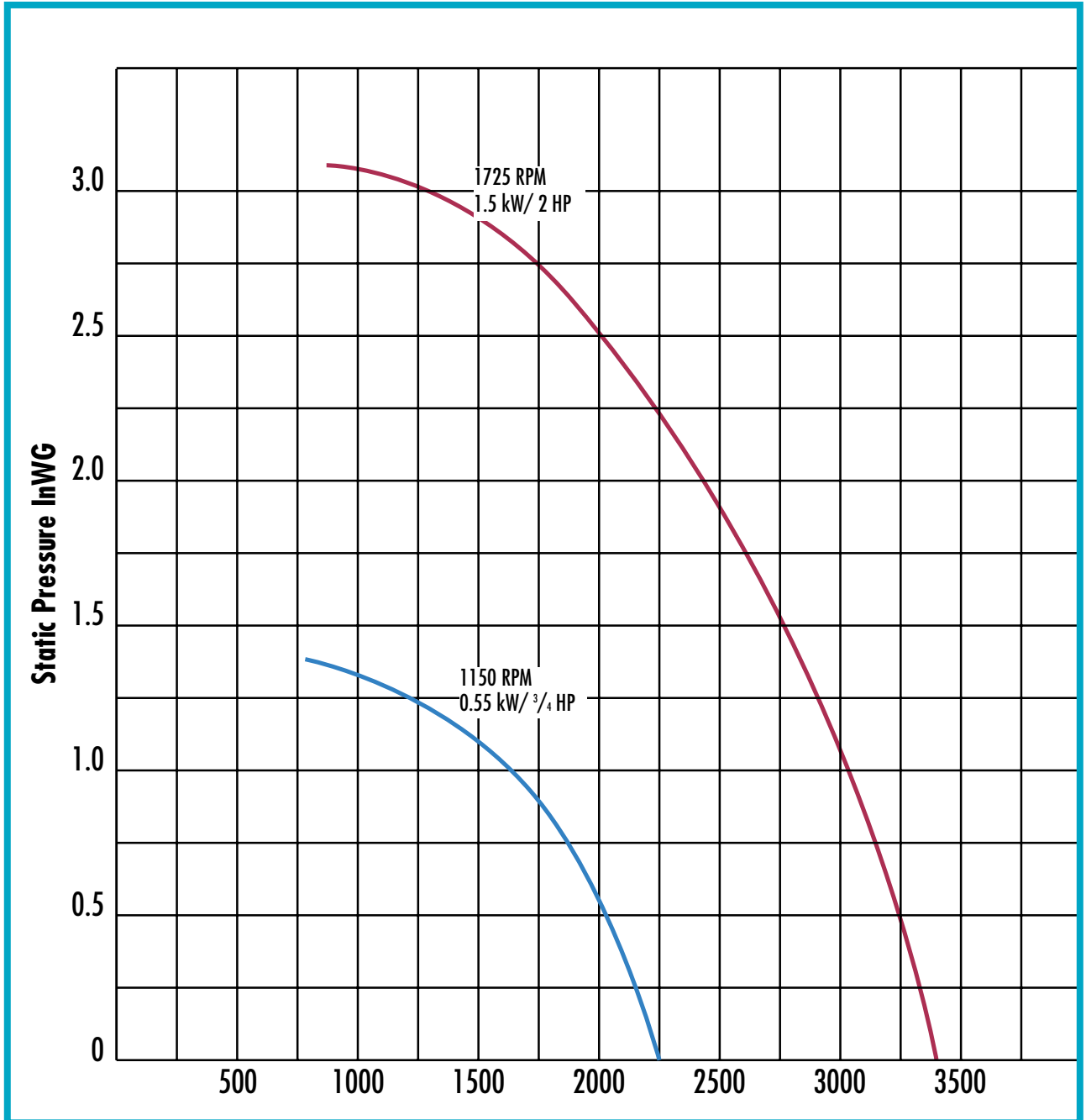
FAN DISCHARGES VIEWED FROM DRIVE SIDE - UPBLAST IS STANDARD

CCW TAD # 9	CCW DB # 10	CCW BAD # 11	CCW BH # 12	CCW BAU # 13	CCW UB # 14	CCW TAU # 15	CCW TH # 16

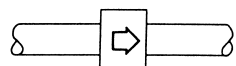
PLASTEC 30

PHONE: (941) 360-2422

FAX: (941) 360-2522



R.P.M.	dB (A)
1150	44
1725	54
3450	72



Noise level (Ducted inlet/outlet)

Airflow CFM