



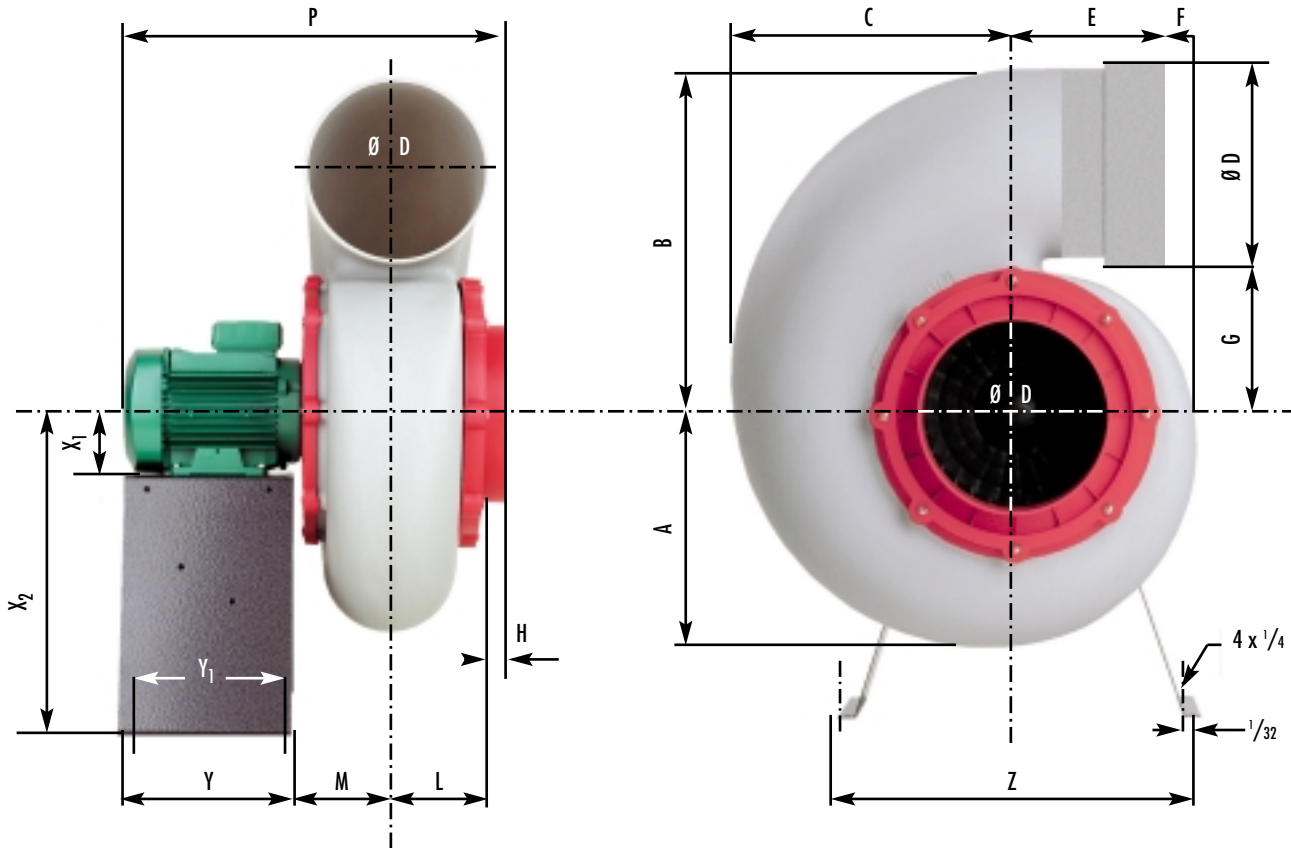
PHONE: (941) 360-2422

FAX: (941) 360-2522

# PLASTEC 25

Inlet Out. Dia. 7.87"

Wheel Dia. 9.84"  
Outlet Out. Dia. 8.62"



Shop/CAD drawings available on request

## DIMENSIONS (in)

| A                 | B                 | C                   | D                 | E                 | F                  | G                 | H                 | L                 | M                 | Y                  | Y <sub>1</sub>     | Z                  |
|-------------------|-------------------|---------------------|-------------------|-------------------|--------------------|-------------------|-------------------|-------------------|-------------------|--------------------|--------------------|--------------------|
| 9 <sup>-3/4</sup> | 14 <sup>3/4</sup> | 12 <sup>-3/16</sup> | 8 <sup>-5/8</sup> | 6 <sup>-5/8</sup> | 1 <sup>-1/16</sup> | 6 <sup>-1/8</sup> | 1 <sup>-1/3</sup> | 3 <sup>-3/4</sup> | 4 <sup>-1/8</sup> | 7 <sup>-1/16</sup> | 6 <sup>-5/16</sup> | 16 <sup>-1/2</sup> |

|  | 1150<br>RPM | 1725<br>RPM | 3450<br>RPM |
|--|-------------|-------------|-------------|
|--|-------------|-------------|-------------|

|                |                     |                   |                    |
|----------------|---------------------|-------------------|--------------------|
| X <sub>1</sub> | 2 <sup>-13/16</sup> | 3 <sup>-1/8</sup> | 3 <sup>-9/16</sup> |
|----------------|---------------------|-------------------|--------------------|

|                |                    |                    |                    |
|----------------|--------------------|--------------------|--------------------|
| X <sub>2</sub> | 12 <sup>-1/4</sup> | 12 <sup>-5/8</sup> | 15 <sup>-3/8</sup> |
|----------------|--------------------|--------------------|--------------------|

|   |                    |                    |                      |
|---|--------------------|--------------------|----------------------|
| P | 18 <sup>-7/8</sup> | 20 <sup>-1/2</sup> | 22 <sup>-13/16</sup> |
|---|--------------------|--------------------|----------------------|

FAN DISCHARGES VIEWED FROM DRIVE SIDE - UPBLAST IS STANDARD



CCW TAD # 9



CCW DB # 10



CCW BAD # 11



CCW BH # 12



CCW BAU # 13



CCW UB # 14



CCW TAU # 15

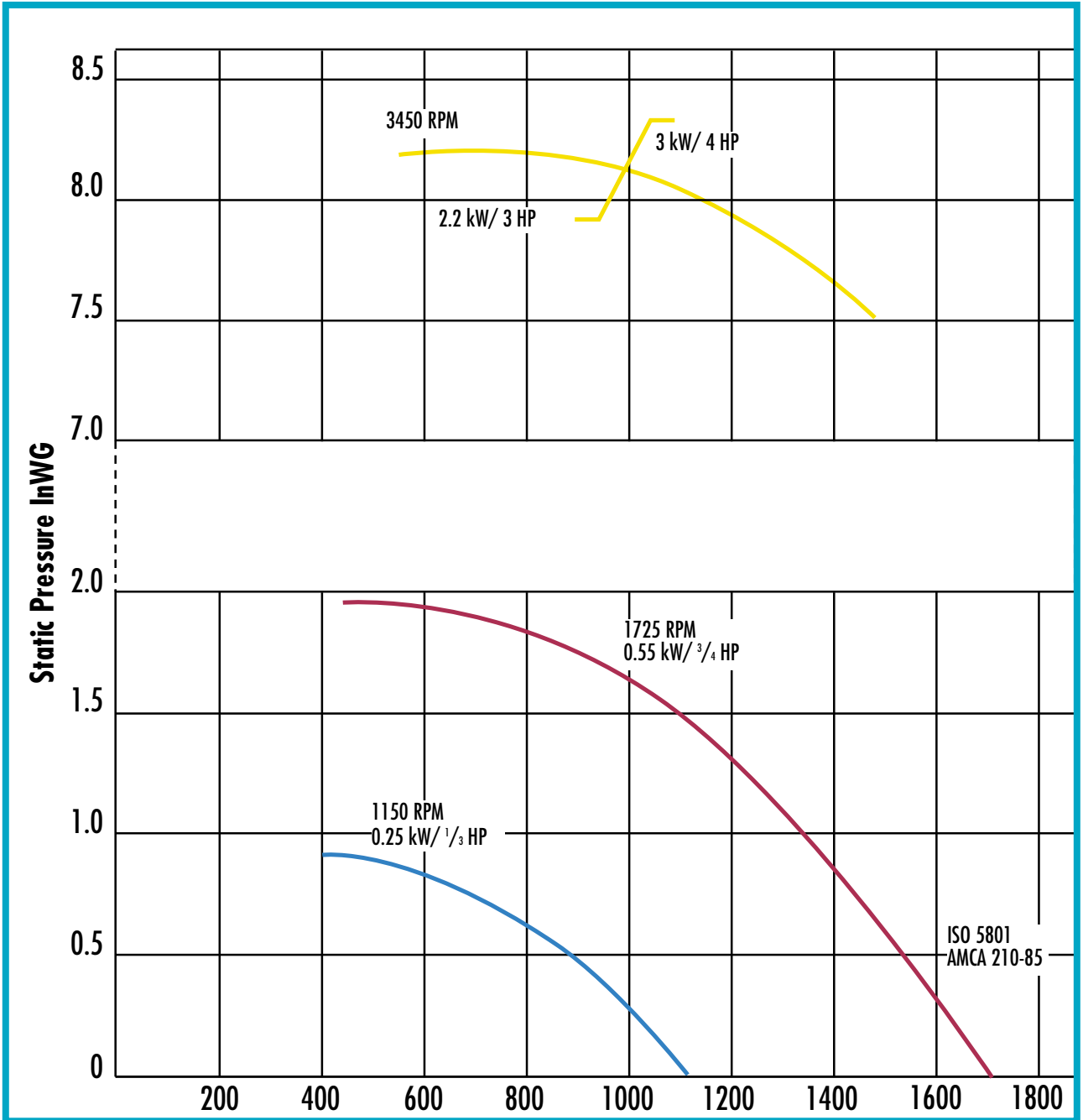


CCW TH # 16

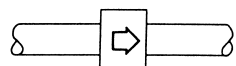
# PLASTEC 25

PHONE: (941) 360-2422

FAX: (941) 360-2522



| R.P.M. | dB (A) |
|--------|--------|
| 1150   | 48     |
| 1725   | 58     |
| 3450   | 75     |



Noise level (Ducted inlet/outlet)

**Airflow CFM**