



PHONE: (941) 360-2422

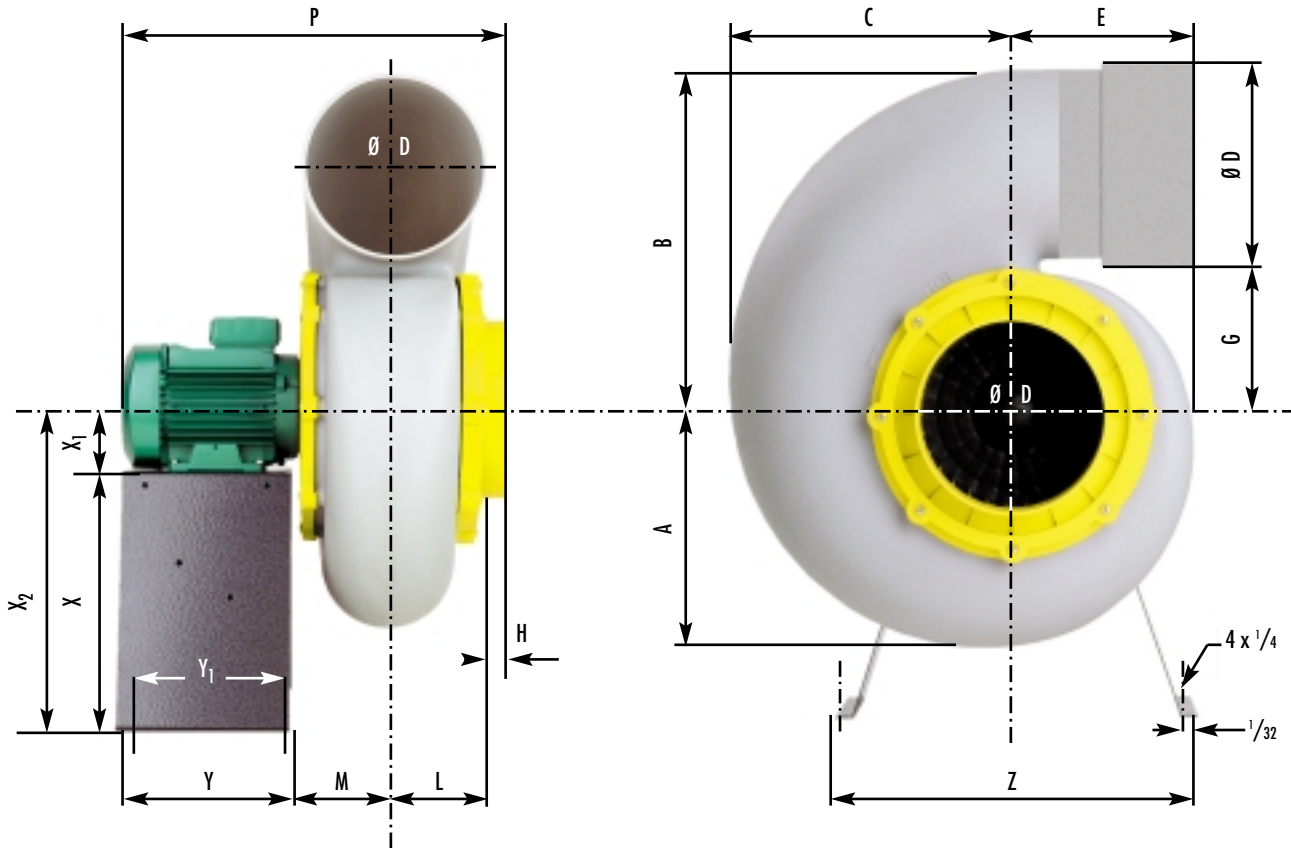
FAX: (941) 360-2522

PLASTEC 20

Inlet Out. Dia. 6.3"

Wheel Dia. 7.87"

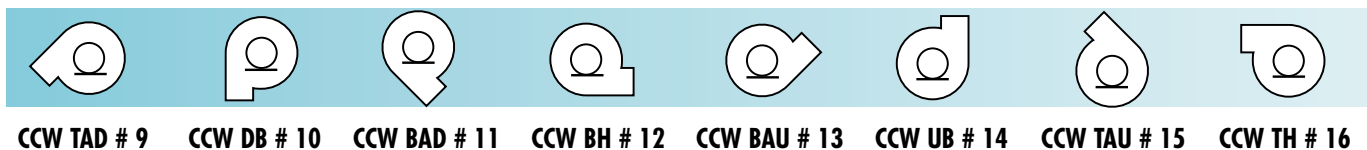
Outlet Out. Dia. 6.62"



Shop/CAD drawings available on request

DIMENSIONS (in)													1150	3450		
A	B	C	D	E	G	H	L	M	P	Y	Y ₁	Z	X	X ₁	2 ^{-13/16}	3 ^{-1/8}
8 ^{-3/16}	12 ^{-1/16}	9 ^{-7/16}	6 ^{-5/8}	6 ^{-3/16}	5 ^{-1/2}	1 ^{-1/3}	3 ^{-3/8}	3 ^{-11/16}	15 ^{-1/3}	7 ^{-1/16}	6 ^{-5/16}	13 ^{-3/8}	9 ^{-7/16}	X ₂	12 ^{-1/4}	12 ^{-5/8}

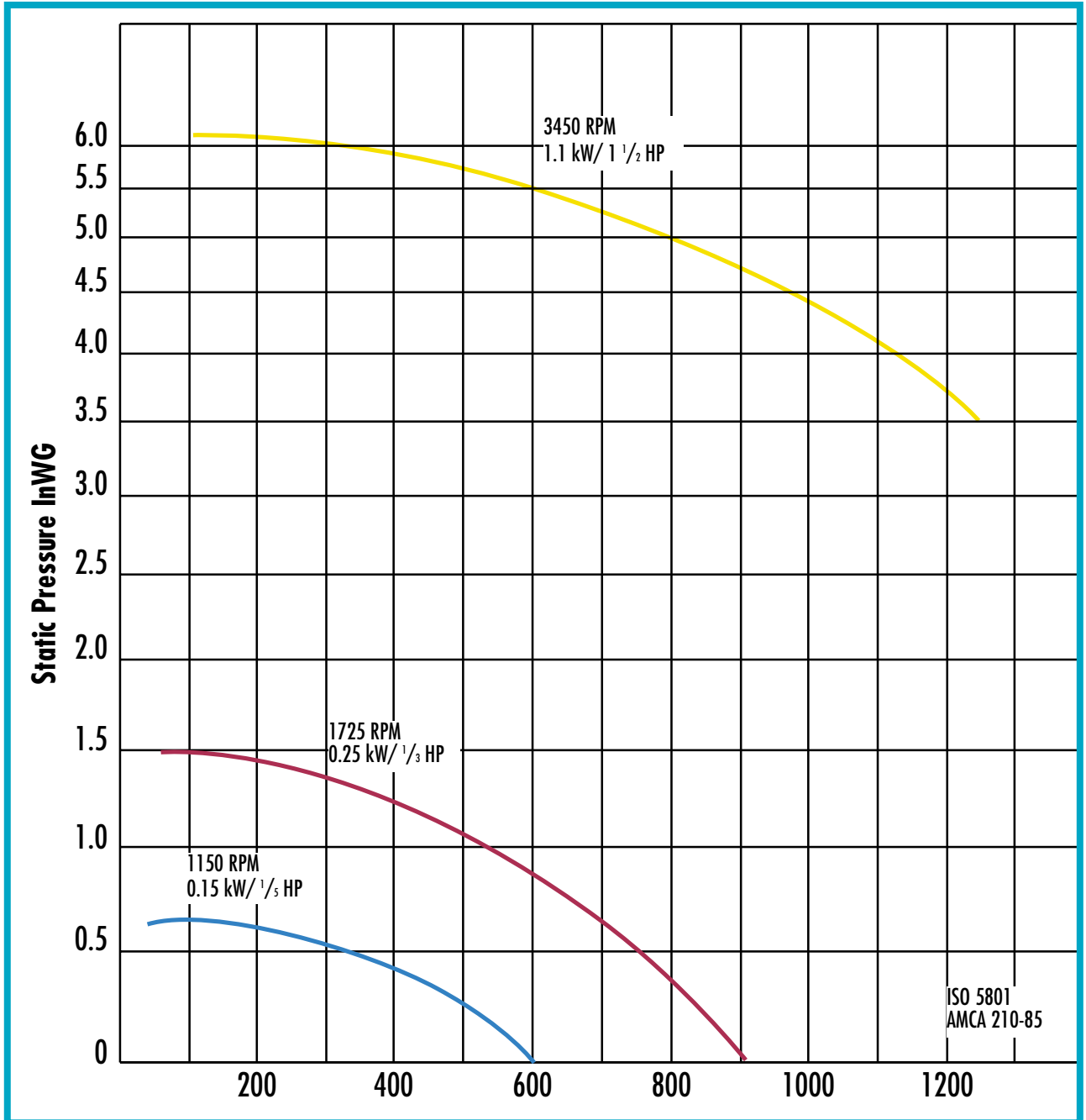
FAN DISCHARGES VIEWED FROM DRIVE SIDE - UPBLAST IS STANDARD



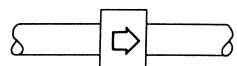
PLASTEC 20

PHONE: (941) 360-2422

FAX: (941) 360-2522



R.P.M.	dB (A)
1150	46
1725	56
3450	73



Noise level (Ducted inlet/outlet)

Airflow CFM