

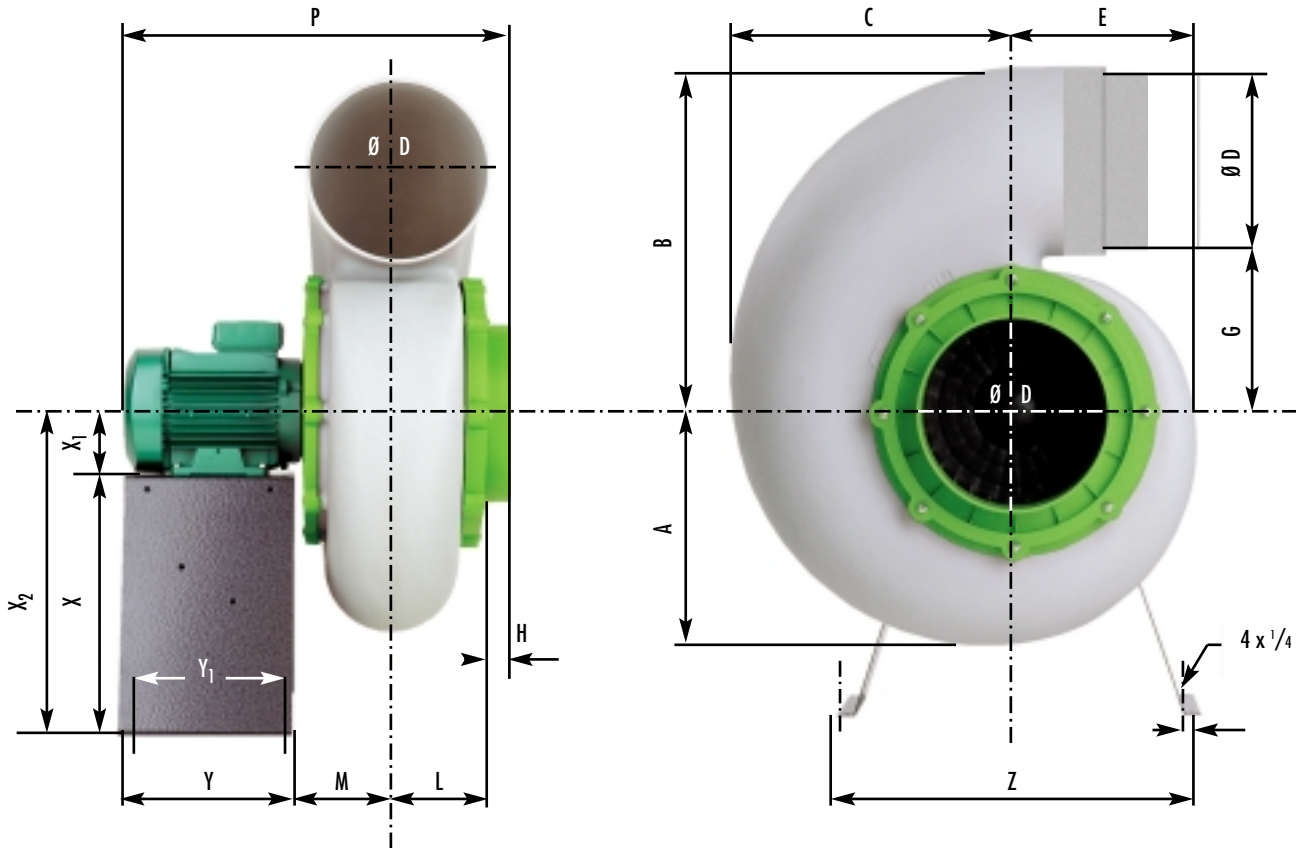


PHONE: (941) 360-2422

FAX: (941) 360-2522

# PLASTEC 15

Wheel Dia. 5.90"  
Inlet/Outlet Out. Dia. 4.92"



Shop/CAD drawings available on request

DIMENSIONS (in)													MOTORS		
A	B	C	D	E	G	H	L	M	P	Y	Y <sub>1</sub>	Z	X	1150	1725 RPM
6 <sup>-1/16</sup>	9 <sup>-7/16</sup>	8	4 <sup>-7/8</sup>	5 <sup>-11/16</sup>	4 <sup>-3/4</sup>	1 <sup>-1/5</sup>	2 <sup>-3/4</sup>	3 <sup>-1/8</sup>	14 <sup>-1/4</sup>	7 <sup>-1/16</sup>	6 <sup>-5/16</sup>	13 <sup>-3/8</sup>	9 <sup>-7/16</sup>	X <sub>1</sub>	2 <sup>-13/16</sup>
														X <sub>2</sub>	12 <sup>-1/4</sup>

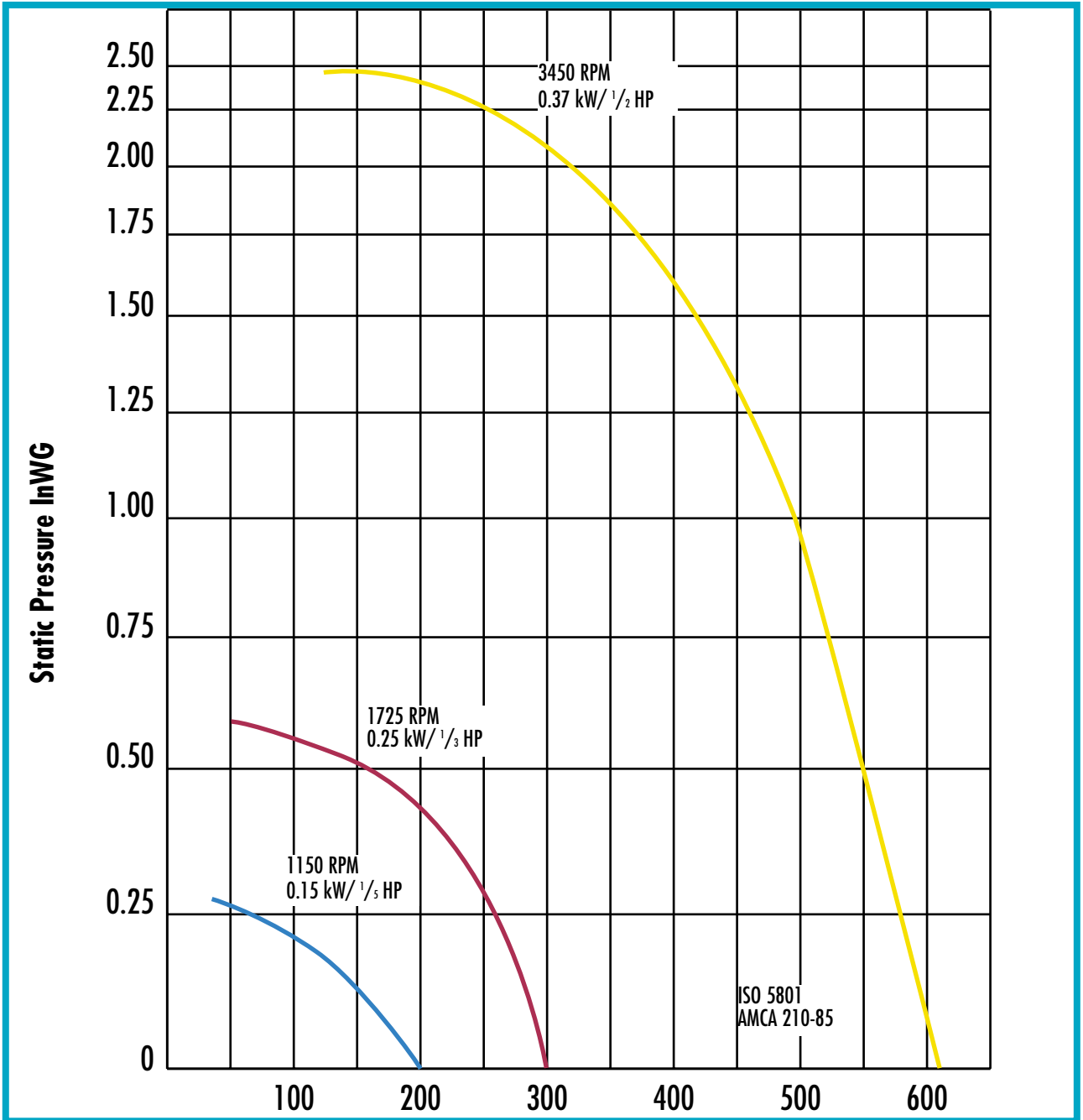
FAN DISCHARGES VIEWED FROM DRIVE SIDE - UPBLAST IS STANDARD

CCW TAD # 9	CCW DB # 10	CCW BAD # 11	CCW BH # 12	CCW BAU # 13	CCW UB # 14	CCW TAU # 15	CCW TH # 16

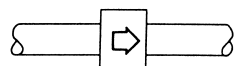
# PLASTEC 15

PHONE: (941) 360-2422

FAX: (941) 360-2522



R.P.M.	dB (A)
1150	43
1725	54
3450	72



Noise level (Ducted inlet/outlet)

**Airflow CFM**