

ASSEMBLED WALL HOUSING SIDEWALL PROPELLER FANS - BELT DRIVE L1, L2 & L3 CONSTRUCTION - EXHAUST & SUPPLY

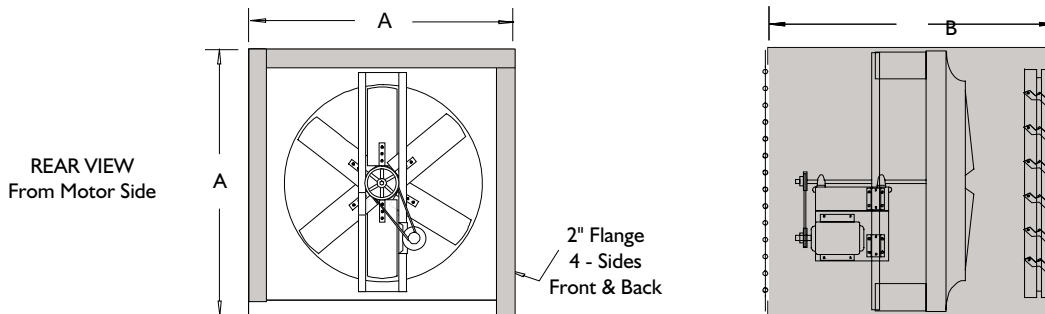


6393 Powers Avenue
Jacksonville, Florida 32217-2298
P: 800.961.7370 / F: 800.961.7379
www.solerpalau-usa.com

Soler&Palau
Ventilation Group

SIDE VIEW
Shown with Motorside
Wire Guard and
Gravity Exhaust Damper

Wall Housings are used to facilitate mounting fans with their accessories in a wall. The housing may be positioned inside or outside the building per the customer's preference or application. Typically, the wall housing for exhaust applications incorporates a damper on the exterior of the building and a guard on the interior of the building. On supply applications, a rainhood and motorized damper are highly recommended to help prevent moisture entering into the building. For installation with wall housing extending outside the building, field caulking and/or flashing of seams and unused prepunched mounting holds is required.



DIMENSIONS (INCHES)								
FAN SIZE	"A" SQ	MIN-WALL OPENING (SQ)	DAMPER FLANGE (O.D.)	LENGTH B				
				LEVEL 1 FAN CONST. MODEL LC (NOTE 1)		LEVEL 2 & 3 FAN CONST. MODELS L2 & L3		
				EXHAUST	SUPPLY	EXHAUST	SUPPLY	
20	25	25 1/2	22 1/2	32 Note (1)	44	NA	NA	
24	31	31 1/2	28 1/2			44	44	44
30	37	37 1/2	34 1/2					
36	43	43 1/2	40 1/2					
42	49	49 1/2	46 1/2			44	44	44
48	55	55 1/2	52 1/2					
54	61	61 1/2	58 1/2	44	44	44	44	
60	67	67 1/2	64 1/2					
72	81	81 1/2	78 1/2	NA	NA	NA	NA	

NOTES:

- (1) All units with motorized damper require the 44" long wall housing.
- (2) Dimension "A" includes fastener heads (approx. 5/8" extra).
- (3) Wall housing ship assembled with fan unless ordered knocked down for field assembly.
- (4) Standard material is G90 galvanized. Aluminum optional.
- (5) Angle mounting flanges ship loose and are optional.
- (6) CAUTION: Housing position when mounted may require additional support (by others).
- (7) Data applies to exhaust and supply fan models unless shown otherwise.

MATERIAL SPECIFICATIONS (GAUGE OR INCHES THICK)								
FAN SIZE	LEVEL 1 FAN CONST. - MODEL LC				LEVEL 2 & 3 FAN CONST. - MODELS L2 & L3			
	EXHAUST		SUPPLY		EXHAUST		SUPPLY	
	GALV	ALUM	GALV	ALUM	GALV	ALUM	GALV	ALUM
20	20 ga	.063	20 ga	.063	NA	NA	NA	NA
24	20 ga	.063	20 ga	.063	18 ga	.080	18 ga	.080
30	20 ga	.063	20 ga	.063	18 ga	.080	18 ga	.080
36	20 ga	.063	20 ga	.063	16 ga	.080	16 ga	.080
42	18 ga	.080	18 ga	.080	16 ga	.080	16 ga	.080
48	18 ga	.080	18 ga	.080	16 ga	.080	16 ga	.080
54	14 ga	.080	14 ga	.080	14 ga	.080	14 ga	.080
60	14 ga	.080	14 ga	.080	14 ga	.080	14 ga	.080
72	NA	NA	NA	NA	14 ga	.080	14 ga	.080

OTHER ACCESSORIES

- Rainhoods
- Motorized Dampers
- Gravity Dampers
- Paints & Coatings
- Mounting Angles
- Electrical Switches
- Safety Guards
- Mounting Collar
- Birdscreen

CAUTION: When wall housing extends outside the building, field caulking and/or flashing of seams and unused prepunched mounting holes is required.

