

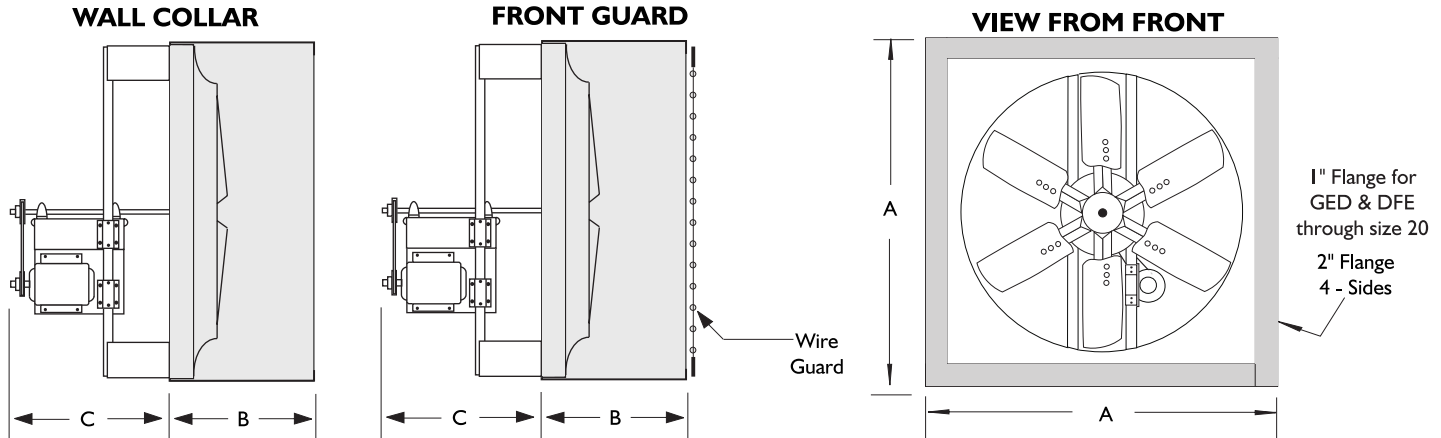
WALL COLLAR OR FRONT (PROPELLER) GUARD DIRECT DRIVE GED/GSD, DFE/DFS & DDE/DDS FANS BELT DRIVE LEVEL 1, 2 AND 3 FAN CONSTRUCTION EXHAUST OR SUPPLY



6393 Powers Avenue
Jacksonville, Florida 32217-2298
P: 800.961.7370 / F: 800.961.7379
www.solerpalau-usa.com

Soler&Palau
Ventilation Group

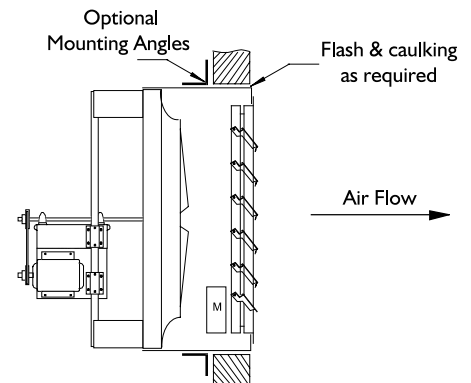
The G90 galvanized steel (aluminum optional) mounting collar can be used with the flat wire guard or a damper (but not both), along with a rainhood for weather protection. This accessory is not compatible with the motorside guard (see also wall housing with flat guard). OSHA safety guards are required in many installations and where the fans are within 7 feet of the floor or work/access areas.



DIMENSIONS IN INCHES											
FAN SIZE	A (SQ)	B (GED, DFE/ LI, 2, 3)	C (MAX)		WALL OPENING (Sq.)	MATERIAL (Ga. or Thickness)		WEIGHT (lbs.)		STANDARD DAMPER	
			EXHAUST	SUPPLY		GALV.	ALUM	GALV.	ALUM	SIZE OD	SIZE I.D.
10/12	17	16	14	16-5/8	17-1/4	20	.050	12	11	14-1/2	12
14/16	21	16	14	16-5/8	21-1/4	20	.050	14	12	18-1/2	16
18/20	25	16/21	20	24	25-1/4	20	.050	15	12	22-1/2	20
24	31	21	20	24	31-1/4	18	.050	17	14	28-1/2	26
30	37	21	20	24	37-1/4	18	.050	20	16	34-1/2	32
36	43	21	20	24	43-1/4	16	.063	24	19	40-1/2	38
42	49	21	22	26	49-1/4	16	.063	28	23	46-1/2	44
48	55	21	22	26	55-1/4	16	.063	31	25	52-1/2	50
54	61	21	22	26	61-1/4	16	.080	35	28	58-1/2	56
60	67	21	22	26	67-1/4	14	.080	40	32	64-1/2	62
72	81	26	22	26	81-1/4	12	.080	60	50	78-1/2	76

NOTES:

1. Wall collar and front guard ships fully assembled to fan unless specified knocked down.
2. G90 galvanized construction is standard (aluminum optional).
3. Wall collar length "B" maintains proper clearance for standard motorized shutter.
4. May be used as a front (propeller) side guard when fitted with the flat wire guard, which satisfies OSHA requirements.
5. Not compatible with accessory - sheet metal and wire motorside guard (see wall housing).
6. Dimension "A" includes fasteners (approx. 5/8").



Exhaust Fan shown in Wall Collar with Motorized Damper