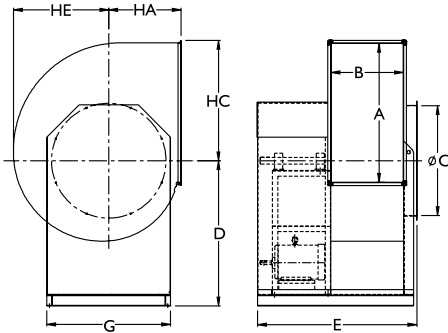


MODEL BVS BELT DRIVEN VENT SET

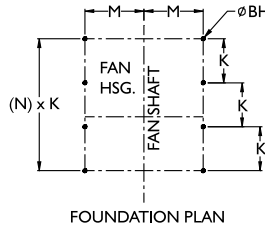
SWSI Arrangement #10, Class I Construction, Nonoverloading B.I. Wheel



61 A Baywood Road
Toronto, Ontario M9V 3Y8
P: 866.733.0233 / F: 866.358.5346
www.solerpalaucanada.com



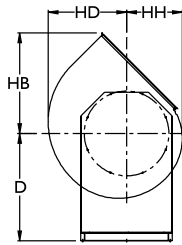
CW 90°
CLOCKWISE TOP HORIZONTAL



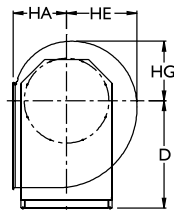
FOUNDATION PLAN



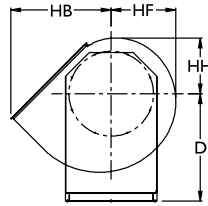
Except BVS 10



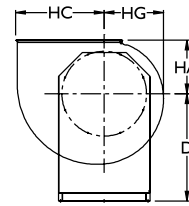
CW 45°
CLOCKWISE TOP ANGULAR UP



CW 270°
CLOCKWISE BOTTOM HORIZONTAL



CW 315°
CLOCKWISE BOTTOM ANGULAR UP



CW 360°
CLOCKWISE UPBLAST

Model	A	B	BH	C	D	E	G	HA	HB	HC	HD	HE	HF	HG	HH	M	(N)	K
10	12 5/8	7	3/8	9 7/8	18	28 1/8	13 1/8	7 3/4	13 3/4	11 3/4	9 5/8	8 5/8	7 7/8	7 1/8	6 3/4	5 3/4	2	11
12	15 7/8	8 3/4	1/2	12 3/8	21 1/8	32 1/4	15 1/2	9 1/4	16 3/4	14 1/2	12	11	10	9	8 1/2	7	2	12 3/4
14	17 3/4	9 3/4	1/2	14	22 7/8	33 1/4	17 1/2	10 1/4	18 3/4	16 1/8	13 5/8	12 3/8	11 1/4	10 1/4	9 5/8	8	2	13 1/4
16	19 7/8	10 3/4	1/2	15 3/4	25 1/4	34 5/8	20	11 3/8	20 7/8	18 1/8	15 3/8	13 7/8	12 5/8	11 1/2	10 3/4	9 1/4	2	15
18	22 3/8	12 1/8	1/2	17 3/4	27 3/8	35 5/8	22 1/4	12 3/4	23 1/4	20 2/8	17 1/4	15 5/8	14 1/4	13	12 1/8	10 3/8	2	15 1/2
20	25 1/8	13 5/8	1/2	19 3/4	29 3/8	38 1/2	23 5/8	14	25 5/8	22 3/8	19 1/8	17 3/8	15 7/8	14 3/8	13 1/2	11	3	11 1/4
22	28 1/8	15 1/8	1/2	22	30 5/8	42 3/4	27 3/4	15 3/8	28 3/8	24 3/4	21 1/2	19 5/8	17 3/4	16 1/8	15	12 7/8	3	12 1/4
24	31 1/2	17	1/2	24 3/4	35 3/4	45 7/8	29 5/8	17 1/8	31 3/4	27 7/8	24 3/8	22 1/8	20 1/4	18 3/8	17 1/4	13 7/8	3	13 1/4
27	35 3/8	18 7/8	1/2	28	39 1/8	49	33	19 1/8	35 5/8	31 1/8	27 1/2	25	22 5/8	20 3/4	19 3/8	15 1/2	3	14
30	39 5/8	21	1/2	31 1/2	43	50 3/4	35 7/8	21 3/8	40	35	30 7/8	28 1/8	25 1/2	23 1/4	21 3/4	16 7/8	3	14 3/8
36	44 1/2	23 3/8	1/2	35 3/8	48 1/4	55 5/8	40 1/2	23 7/8	44 3/4	39 1/2	34 3/4	31 5/8	28 3/4	26 1/8	24 5/8	19 1/4	3	14 5/8

NOTES:

- Outlet flange is optional for all sizes.
 - Unit rotatable to all positions: 45°, 90°, 270°, 315°, & 360°.
- "CW" rotation is shown: "CCW" rotation is similar but opposite.

FAN SPECIFICATIONS										MOTOR SPECIFICATIONS				
Line	Qty.	Model No.	Tag	CFM	SP	Fan RPM	BHP	Sones	HP	Volts	Phase	Hertz	Encl	
1														
2														
3														
4														

ACCESSORY ITEMS					ACCESSORY ITEMS						
	1	2	3	4	5		1	2	3	4	5
<input type="checkbox"/>						<input type="checkbox"/>					
<input type="checkbox"/>						<input type="checkbox"/>					
<input type="checkbox"/>						<input type="checkbox"/>					
<input type="checkbox"/>						<input type="checkbox"/>					