

BRONZE LINE

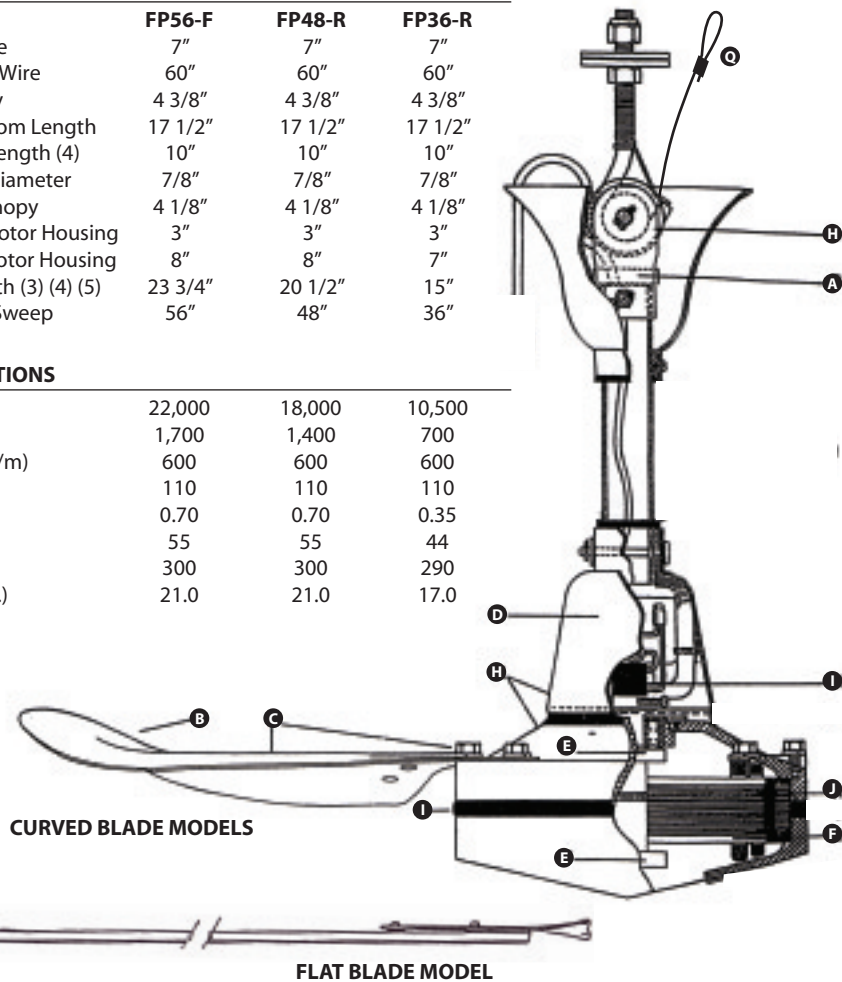
BRONZE LINE - COMMERCIAL DUTY CEILING FAN DIMENSIONS

DIMENSIONS

Feature	FP56-F	FP48-R	FP36-R
Safety Cable	7"	7"	7"
Cord/ Lead Wire	60"	60"	60"
Top Canopy	4 3/8"	4 3/8"	4 3/8"
Top to Bottom Length	17 1/2"	17 1/2"	17 1/2"
Downrod Length (4)	10"	10"	10"
Downrod Diameter	7/8"	7/8"	7/8"
Bottom Canopy	4 1/8"	4 1/8"	4 1/8"
Depth of Motor Housing	3"	3"	3"
Width of Motor Housing	8"	8"	7"
Blade Length (3) (4) (5)	23 3/4"	20 1/2"	15"
Diameter/ Sweep	56"	48"	36"

SPECIFICATIONS

CFM	22,000	18,000	10,500
Area (sq.ft.)	1,700	1,400	700
Velocity (ft./m)	600	600	600
Volts	110	110	110
Amps	0.70	0.70	0.35
Watts	55	55	44
RPM	300	300	290
Weight (lbs.)	21.0	21.0	17.0



CURVED BLADE MODELS

FLAT BLADE MODEL

FEATURES

Cords/ Lead Wires/ Safety Cables measured from top of down rod.

Model numbers 190A-7, 190A-18, 160F7, 60F7, FP56, FP56-36, FP36 feature plug and cord. All other models have **4 wire leads**.

Model 160C, FP56C and FP48R feature straight blades. All other models have curved tipped blades.

Model 190A also available with 56" diameter straight or curved tipped blades.

Blade bracket included in measured length.

Model 190, 160 and 136F fans use E961 36" downrod extension. Extending downrod on 190A will void downrod moisture seal

60F and FP series use E962 36" downrod extension.

Note: All fans with plug and cord require 60" plug and cord Part" Cord-WH to install 36" standard downrod.

Parts and installation charge apply if factory installed.

Customized downrod lengths over 36" available. Also 16' cord with plug part # Cord-WH16

Heavy cast yoke for infield downrod change

Safety cable installed

BANVIL 2000

INDUSTRIAL CEILING FANS

Division of 3383768 Canada Limited

P.O. Box 23087, 55 Ontario Street, South Milton, Ontario L9T 2M3
PH: 1.888.8BANVIL (22-6845) FX: 1.888.4BANVIL (22-6845)

1 YEAR LIMITED WARRANTY

FP56R-36, FP56-36, FP56R, FP56, FP48R, FP36R & FP36

A Pre-wired with 60" cord and built-in strain relief.

B Aerodynamically designed curved-tip 56" blades for maximum air delivery

C Precision-balanced metal blades for smooth, quiet operation.

D All metal. No plastic.

E Permanent sealed ball bearings.

F Totally enclosed .7 amp heavy duty motor with impedance protection.

G Corrosion-resistant epoxy prime and finish coat on all metal housings and blades.

H Simple J-hook mount

I 6.5 mfd non-polar, weatherproof encapsulated, extra heavy-duty capacitor

J High grade silicone steel motor laminations for maximum energy efficiency

K Full one-year warranty.

L Solid state infinite speed controls

M Uses less energy than a 100W bulb.

N 10" downrod. 36" available.

O Shipped completely assembled, except blades.

P Heavy cast yoke for easy infield downrod change

Q Safety cable installed



North America's Leading
Manufacturer of Quality
Industrial and Commercial
Ceiling Fans

